

CONTENTS

Flat Top Work Table.....	1
Mobile Work Table.....	2
Open Base Work Table.....	3
Work Table with Backsplash.....	4
Equipment Stand.....	4
Work Table with Prep Sink	5
Open Base Folding Table.....	5
Rice Warmer Stand.....	5
Single Tier Overshelf.....	6
Double Tier Overshelf.....	6
Bullnosed Wall Shelf.....	7
Flat Front Wall Shelf.....	8
Wall Shelf with Side Guards.....	8
Wall-Mounted Shelf with Pot Rack.....	9
Tubular Wall Shelf.....	9
Folding Shelf.....	9
Floating Double Tier Wall Mount Shelf.....	9
Tubular Glass Rack Shelf.....	10
Slanted Shelf.....	10
Printer Tray.....	10
Ticket Printer Shelf.....	10
Wall Mount Hand Sink.....	11, 12
Floor Mop Sink.....	12
Commercial Compartment Sink	13, 14
Drop In Sink.....	14
Utility Cart.....	15
Tubular Utility Cart.....	16
Platform Truck.....	16
Plastic Utility Cart.....	16
Aluminum Dunnage Rack.....	16
Carbon Steel Grease Trap Interceptor.....	17
Aluminum Sheet Pan Rack.....	17
Aluminum Countertop Sheet Pan Rack.....	18
Aluminum Wall Mounted Sheet Pan Rack.....	18
Aluminum Under-Table Mounted Sheet Pan Rack.....	18
Underbar Sink.....	19
Underbar Liquor Display Rack.....	20

Underbar Drainboard.....	20
Recessed Underbar Drainboard.....	20
Underbar Blender Station with Dump Sink.....	21
Underbar Hand Sink with Glass Rinser and Dipper Well.....	21
Underbar Hand Sink with Cabinet Base.....	21
Underbar Hand Sink with Soap and Towel Dispenser.....	22
Glass Rack Storage Cabinet.....	22
Free Standing Ice Bin with 7-circuit Cast Aluminum Cold Plate.....	22
Drop In Ice Bin.....	23
Free Standing Ice Bin with Cold Plate.....	23
Mobile Ice Bin.....	23
Single-Tier Speed Rail.....	24
Single-Tier Double Speed Rail.....	24
Two-Tier Speed Rail.....	24
Wall-Mounted Single-Line Pot Rack.....	25
Wall-Mounted Double-Line Pot Rack.....	25
Table-Mounted Pot Rack.....	25
Chrome Wire Shelf.....	26
Wall Mount Wire Shelf with Brackets.....	26
Wire Shelving Post.....	27
Galvanized Undershelf for Work Table.....	28
Galvanized Leg for Work Table.....	29
Work Table Caster.....	29
Work Table Drawer.....	29
Aluminum Joint Socket.....	29
Plate Socket.....	30
Pre-Rinse Basket.....	30
Cylinder Floor Drain Strainer.....	30
Rectangular Floor Drain Strainer.....	31
Aluminum Dome Drain Strainer.....	31
Floor Sink Grate.....	31
Deck Mount Faucet.....	32
Wall Mount Faucet.....	32, 33
Pre-Rinse Assembly with Add-On Faucet.....	33

Flat Top Work Table With Galvanized Legs and Undershef

- 18-gauge type 430 stainless steel top.
- Galvanized steel legs and undershef.
- Adjustable plastic bullet feet.
- Legs constructed from 1-5/8 in. galvanized steel tubing.
- Tables 84 in. and longer are equipped with six legs.



MODEL	UNIT SIZE W x L x H
AMG WT-1424	14" x 24" x 35"
AMG WT-1430	14" x 30" x 35"
AMG WT-1436	14" x 36" x 35"
AMG WT-1448	14" x 48" x 35"
AMG WT-1460	14" x 60" x 35"
AMG WT-1472	14" x 72" x 35"
AMG WT-1484	14" x 84" x 35"
AMG WT-1496	14" x 96" x 35"
AMG WT-1636	16" x 36" x 35"
AMG WT-1648	16" x 48" x 35"
AMG WT-1818	18" x 18" x 35"
AMG WT-1824	18" x 24" x 35"
AMG WT-1830	18" x 30" x 35"
AMG WT-1836	18" x 36" x 35"
AMG WT-1848	18" x 48" x 35"
AMG WT-1860	18" x 60" x 35"
AMG WT-1872	18" x 72" x 35"
AMG WT-1884	18" x 84" x 35"
AMG WT-1896	18" x 96" x 35"
AMG WT-2020	20" x 20" x 35"
AMG WT-2412	24" x 12" x 35"
AMG WT-2415	24" x 15" x 35"
AMG WT-2418	24" x 18" x 35"

MODEL	UNIT SIZE W x L x H
AMG WT-2424	24" x 24" x 35"
AMG WT-2430	24" x 30" x 35"
AMG WT-2436	24" x 36" x 35"
AMG WT-2448	24" x 48" x 35"
AMG WT-2460	24" x 60" x 35"
AMG WT-2472	24" x 72" x 35"
AMG WT-2484	24" x 84" x 35"
AMG WT-2496	24" x 96" x 35"
AMG WT-3012	30" x 12" x 35"
AMG WT-3015	30" x 15" x 35"
AMG WT-3018	30" x 18" x 35"
AMG WT-3024	30" x 24" x 35"
AMG WT-3030	30" x 30" x 35"
AMG WT-3036	30" x 36" x 35"
AMG WT-3048	30" x 48" x 35"
AMG WT-3060	30" x 60" x 35"
AMG WT-3072	30" x 72" x 35"
AMG WT-3084	30" x 84" x 35"
AMG WT-3096	30" x 96" x 35"
AMG WT-3636	36" x 36" x 35"
AMG WT-3648	36" x 48" x 35"
AMG WT-3660	36" x 60" x 35"
AMG WT-3672	36" x 72" x 35"
AMG WT-3696	36" x 96" x 35"

Available Accessories

- Additional undershelves (see page 28)
- Casters (see page 29)
- Drawers (see page 29)
- Alternate leg sizes (see page 29)
- Metal bullet feet or flanged feet (see page 29)
- Overshelves (see page 06)

Mobile Flat Top Work Table With Galvanized Legs and Undershef

- 18-gauge type 430 stainless steel top.
- Galvanized steel legs and undershef.
- Legs constructed from 1-5/8 in. galvanized steel tubing.
- 3 in. plastic expanding casters.
- Two casters with top brakes and two without.
- Tables 84 in. and longer are equipped with six legs.



MODEL	UNIT SIZE W x L x H
AMG WT-1636+WHEELS	16" x 36" x 38"
AMG WT-1648+WHEELS	16" x 48" x 38"
AMG WT-1824+WHEELS	18" x 24" x 38"
AMG WT-1830+WHEELS	18" x 30" x 38"
AMG WT-1836+WHEELS	18" x 36" x 38"
AMG WT-1848+WHEELS	18" x 48" x 38"
AMG WT-1860+WHEELS	18" x 60" x 38"
AMG WT-1872+WHEELS	18" x 72" x 38"
AMG WT-1884+WHEELS	18" x 84" x 38"
AMG WT-1896+WHEELS	18" x 96" x 38"
AMG WT-2020+WHEELS	20" x 20" x 38"
AMG WT-2412+WHEELS	24" x 12" x 38"
AMG WT-2415+WHEELS	24" x 15" x 38"
AMG WT-2418+WHEELS	24" x 18" x 38"
AMG WT-2424+WHEELS	24" x 24" x 38"
AMG WT-2430+WHEELS	24" x 30" x 38"
AMG WT-2436+WHEELS	24" x 36" x 38"
AMG WT-2448+WHEELS	24" x 48" x 38"
AMG WT-2460+WHEELS	24" x 60" x 38"

MODEL	UNIT SIZE W x L x H
AMG WT-2472+WHEELS	24" x 72" x 38"
AMG WT-2484+WHEELS	24" x 84" x 38"
AMG WT-2496+WHEELS	24" x 96" x 38"
AMG WT-3012+WHEELS	30" x 12" x 38"
AMG WT-3015+WHEELS	30" x 15" x 38"
AMG WT-3018+WHEELS	30" x 18" x 38"
AMG WT-3024+WHEELS	30" x 24" x 38"
AMG WT-3030+WHEELS	30" x 30" x 38"
AMG WT-3036+WHEELS	30" x 36" x 38"
AMG WT-3048+WHEELS	30" x 48" x 38"
AMG WT-3060+WHEELS	30" x 60" x 38"
AMG WT-3072+WHEELS	30" x 72" x 38"
AMG WT-3084+WHEELS	30" x 84" x 38"
AMG WT-3096+WHEELS	30" x 96" x 38"
AMG WT-3636+WHEELS	36" x 36" x 38"
AMG WT-3648+WHEELS	36" x 48" x 38"
AMG WT-3660+WHEELS	36" x 60" x 38"
AMG WT-3672+WHEELS	36" x 72" x 38"
AMG WT-3696+WHEELS	36" x 96" x 38"

Available Accessories

- Additional undershelves (see page 28)
- Alternate caster sizes (see page 29)
- Drawers (see page 29)
- Alternate leg sizes (see page 29)
- Metal bullet feet or flanged feet (see page 29)
- Overshelves (see page 06)

Flat Top Work Table With Galvanized Legs and Open Base

- 18-gauge type 430 stainless steel top.
- Galvanized steel legs.
- Legs constructed from 1-5/8 in. galvanized steel tubing.
- "U" shape galvanized leg bracing with aluminum socket.
- Tables 84 in. and longer are equipped with six legs.



MODEL	UNIT SIZE W x L x H
AMG WT-1424-RCB	14" x 24" x 35"
AMG WT-1430-RCB	14" x 30" x 35"
AMG WT-1436-RCB	14" x 36" x 35"
AMG WT-1448-RCB	14" x 48" x 35"
AMG WT-1460-RCB	14" x 60" x 35"
AMG WT-1472-RCB	14" x 72" x 35"
AMG WT-1484-RCB	14" x 84" x 35"
AMG WT-1496-RCB	14" x 96" x 35"
AMG WT-1636-RCB	16" x 36" x 35"
AMG WT-1648-RCB	16" x 48" x 35"
AMG WT-1818-RCB	18" x 18" x 35"
AMG WT-1824-RCB	18" x 24" x 35"
AMG WT-1830-RCB	18" x 30" x 35"
AMG WT-1836-RCB	18" x 36" x 35"
AMG WT-1848-RCB	18" x 48" x 35"
AMG WT-1860-RCB	18" x 60" x 35"
AMG WT-1872-RCB	18" x 72" x 35"
AMG WT-1884-RCB	18" x 84" x 35"
AMG WT-1896-RCB	18" x 96" x 35"
AMG WT-2020-RCB	20" x 20" x 35"
AMG WT-2412-RCB	24" x 12" x 35"
AMG WT-2412-RCB	24" x 12" x 35"
AMG WT-2415-RCB	24" x 15" x 35"

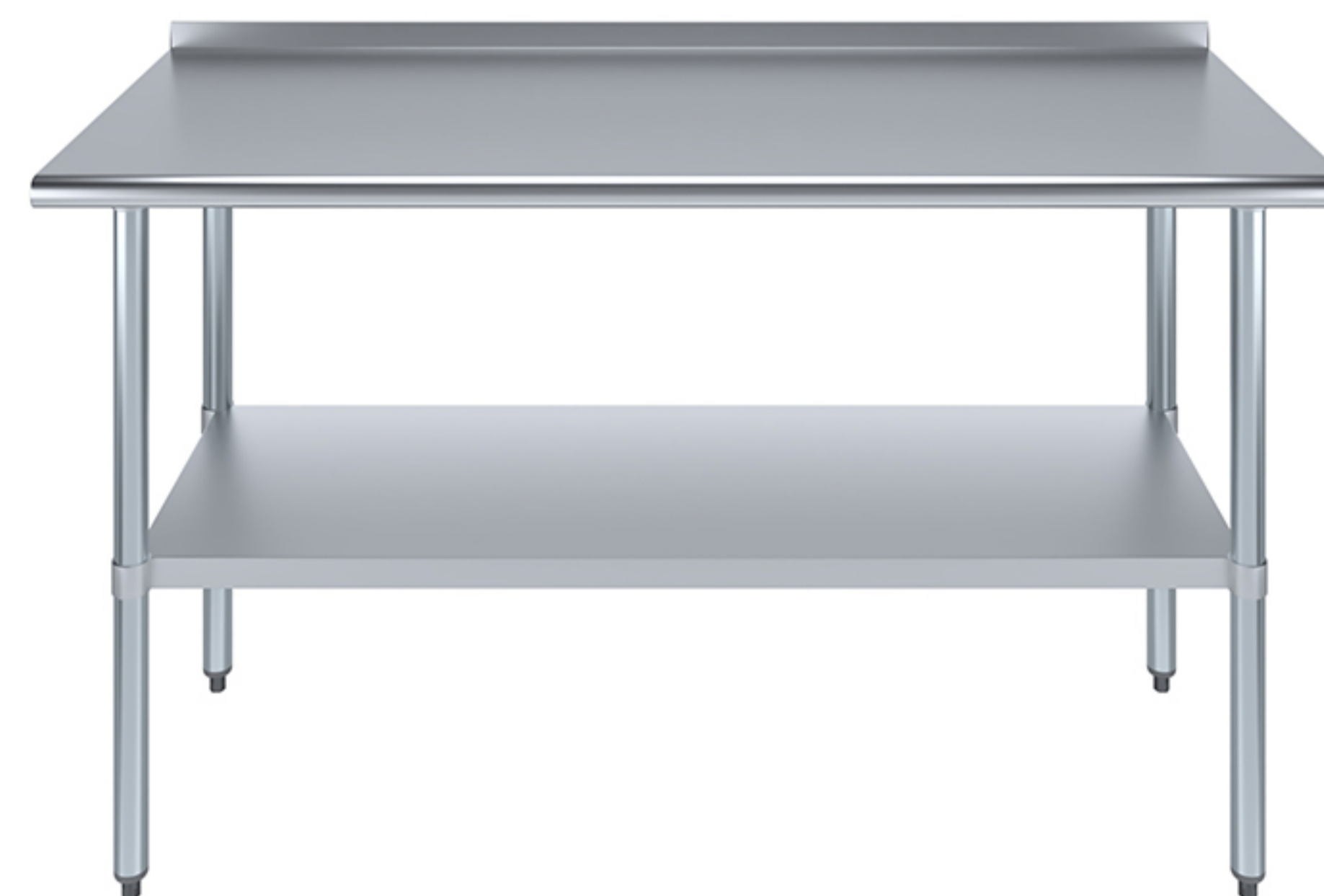
MODEL	UNIT SIZE W x L x H
AMG WT-2418-RCB	24" x 18" x 35"
AMG WT-2424-RCB	24" x 24" x 35"
AMG WT-2430-RCB	24" x 30" x 35"
AMG WT-2436-RCB	24" x 36" x 35"
AMG WT-2448-RCB	24" x 48" x 35"
AMG WT-2460-RCB	24" x 60" x 35"
AMG WT-2472-RCB	24" x 72" x 35"
AMG WT-2484-RCB	24" x 84" x 35"
AMG WT-2496-RCB	24" x 96" x 35"
AMG WT-3012-RCB	30" x 12" x 35"
AMG WT-3015-RCB	30" x 15" x 35"
AMG WT-3018-RCB	30" x 18" x 35"
AMG WT-3024-RCB	30" x 24" x 35"
AMG WT-3030-RCB	30" x 30" x 35"
AMG WT-3036-RCB	30" x 36" x 35"
AMG WT-3048-RCB	30" x 48" x 35"
AMG WT-3060-RCB	30" x 60" x 35"
AMG WT-3072-RCB	30" x 72" x 35"
AMG WT-3084-RCB	30" x 84" x 35"
AMG WT-3096-RCB	30" x 96" x 35"
AMG WT-3636-RCB	36" x 36" x 35"
AMG WT-3648-RCB	36" x 48" x 35"
AMG WT-3660-RCB	36" x 60" x 35"
AMG WT-3672-RCB	36" x 72" x 35"
AMG WT-3696-RCB	36" x 96" x 35"

Available Accessories

- Undershelves (see page 28)
- Casters (see page 29)
- Drawers (see page 29)
- Alternate leg sizes (see page 29)
- Metal bullet feet or flanged feet (see page 29)
- Overshelves (see page 06)

Work Table with Galvanized Legs & Undershef with 1.5 in. Backsplash

- Tabletop includes an integrated 1.5 in. rear backsplash.
- 18-gauge type 430 stainless steel top.
- Galvanized steel legs and undershef.
- Adjustable plastic bullet feet.
- Legs constructed from 1-5/8 in. galvanized steel tubing.
- Tables 84 in. and longer are equipped with six legs.

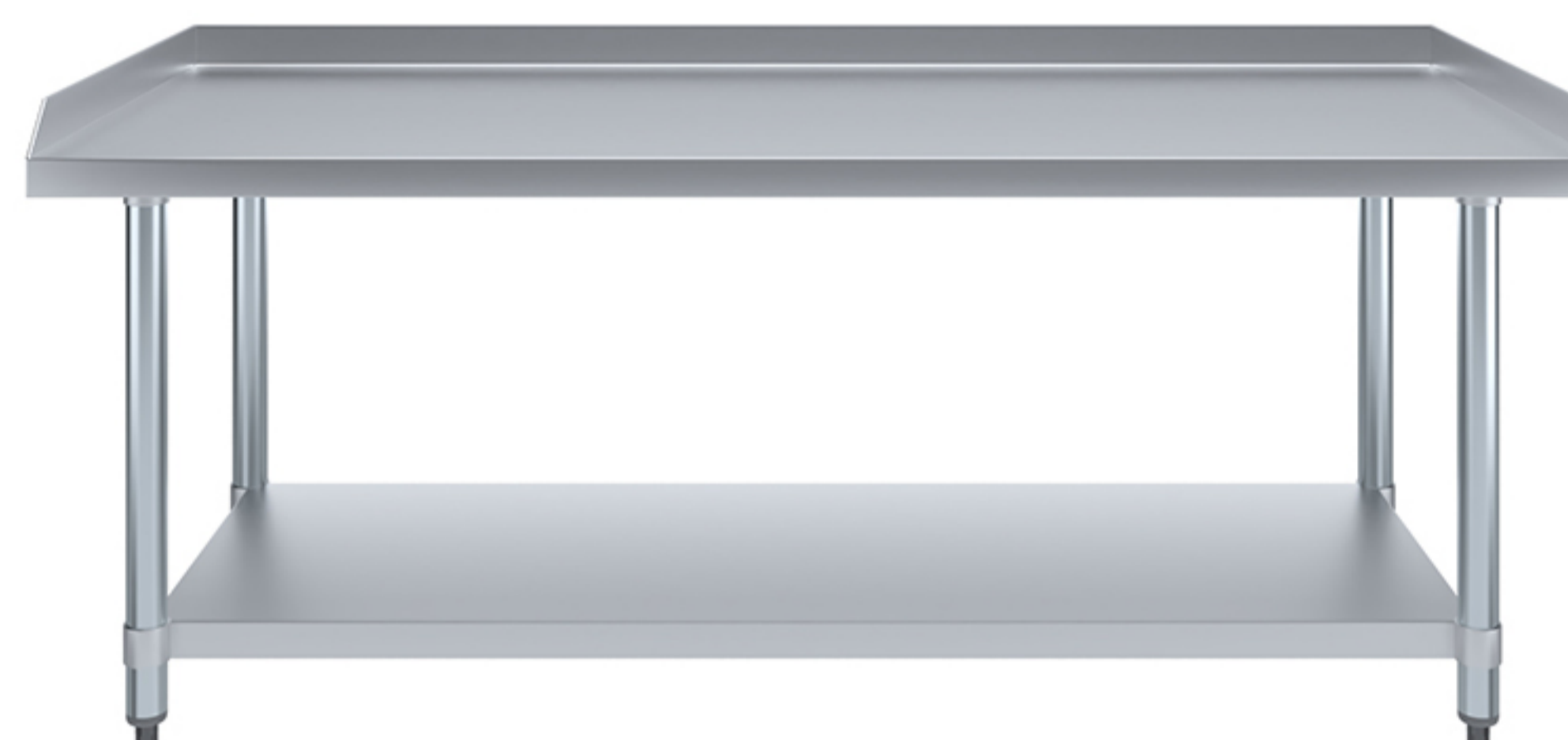


MODEL	UNIT SIZE W x L x H
AMG WT-1448-BS	14" x 48" x 35"
AMG WT-1460-BS	14" x 60" x 35"
AMG WT-1836-BS	18" x 36" x 35"
AMG WT-1848-BS	18" x 48" x 35"
AMG WT-1860-BS	18" x 60" x 35"
AMG WT-1872-BS	18" x 72" x 35"
AMG WT-2412-BS	24" x 12" x 35"
AMG WT-2418-BS	24" x 18" x 35"
AMG WT-2436-BS	24" x 36" x 35"
AMG WT-2448-BS	24" x 48" x 35"
AMG WT-2460-BS	24" x 60" x 35"

MODEL	UNIT SIZE W x L x H
AMG WT-2472-BS	24" x 72" x 35"
AMG WT-2496-BS	24" x 96" x 35"
AMG WT-3012-BS	30" x 12" x 35"
AMG WT-3018-BS	30" x 18" x 35"
AMG WT-3036-BS	30" x 48" x 35"
AMG WT-3048-BS	30" x 48" x 35"
AMG WT-3060-BS	30" x 60" x 35"
AMG WT-3072-BS	30" x 72" x 35"
AMG WT-3096-BS	30" x 96" x 35"

Equipment Stand

- Top includes an integrated 2 in. backsplash with left and right side splashes.
- 18-gauge type 430 stainless steel top.
- Galvanized steel legs and undershef.
- Adjustable plastic bullet feet.
- Legs constructed from 1-5/8 in. galvanized steel tubing.
- Tables 72 in. and longer are equipped with six legs.



MODEL	UNIT SIZE W x L x H
AMG ES-2412	24" x 12" x 24"
AMG ES-2418	24" x 18" x 24"
AMG ES-2424	24" x 24" x 24"
AMG ES-2430	24" x 30" x 24"
AMG ES-2436	24" x 36" x 24"
AMG ES-2448	24" x 48" x 24"

MODEL	UNIT SIZE W x L x H
AMG ES-2460	24" x 60" x 24"
AMG ES-2472	24" x 72" x 24"
AMG ES-2496	24" x 96" x 24"
AMG ES-3012	30" x 12" x 24"
AMG ES-3018	30" x 18" x 24"
AMG ES-3024	30" x 24" x 24"
AMG ES-3030	30" x 30" x 24"
AMG ES-3036	30" x 36" x 24"
AMG ES-3048	30" x 48" x 24"
AMG ES-3060	30" x 60" x 24"
AMG ES-3072	30" x 72" x 24"
AMG ES-3096	30" x 96" x 24"

Available Accessories

- Additional undershelves (see page 28)
- Casters (see page 29)
- Drawers (see page 29)
- Cross bars (see page 30)
- Alternate leg sizes (see page 29)
- Metal bullet feet or flanged feet (see page 29)
- Overshelves (see page 06)

Work Table with Prep Sink

- 18-gauge type 304 stainless steel tabletop.
- 5 in. backsplash.
- Integrated prep sink.
- Includes 4 in. center faucet with 8 in. Spout.
- 18-gauge type 430 stainless steel undershelf.
- Undershelf supported by aluminum die-cast sockets.
- 3.5 in. drain basket included.
- Stainless steel legs with adjustable stainless steel bullet feet.

MODEL	UNIT SIZE	BOWL SIZE
Left Bowl	W x L x H	W x L x H
AMG WTWTIPS-2460-L-F	24" x 60" x 39"	16" x 16" x 12"
AMG WTWTIPS-3072-L-F	30" x 72" x 39"	16" x 16" x 12"

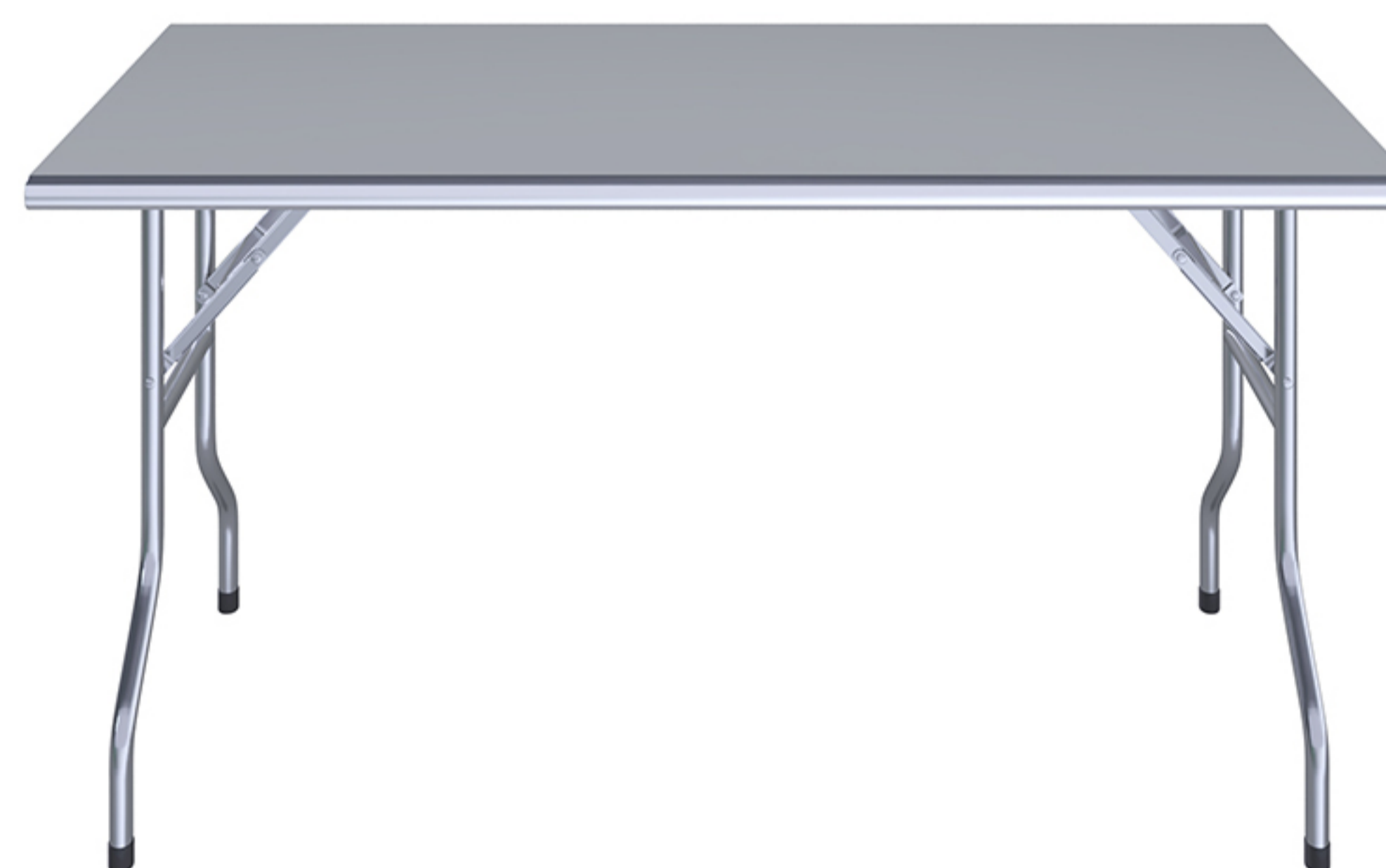
MODEL	UNIT SIZE	BOWL SIZE
Right Bowl	W x L x H	W x L x H
AMG WTWTIPS-2460-R-F	24" x 60" x 39"	16" x 16" x 12"
AMG WTWTIPS-3072-R-F	30" x 72" x 39"	16" x 16" x 12"



Open Base Folding Table

- 18-gauge type 430 stainless steel top.
- 18GA.430S/S hat channel.
- Stainless Steel 1 in. OD folding legs.

MODEL	UNIT SIZE W x L x H
AMG FWT-2448	24" x 48" x 31"
AMG FWT-2460	24" x 60" x 31"
AMG FWT-3048	30" x 48" x 31"



Rice Warmer Stand

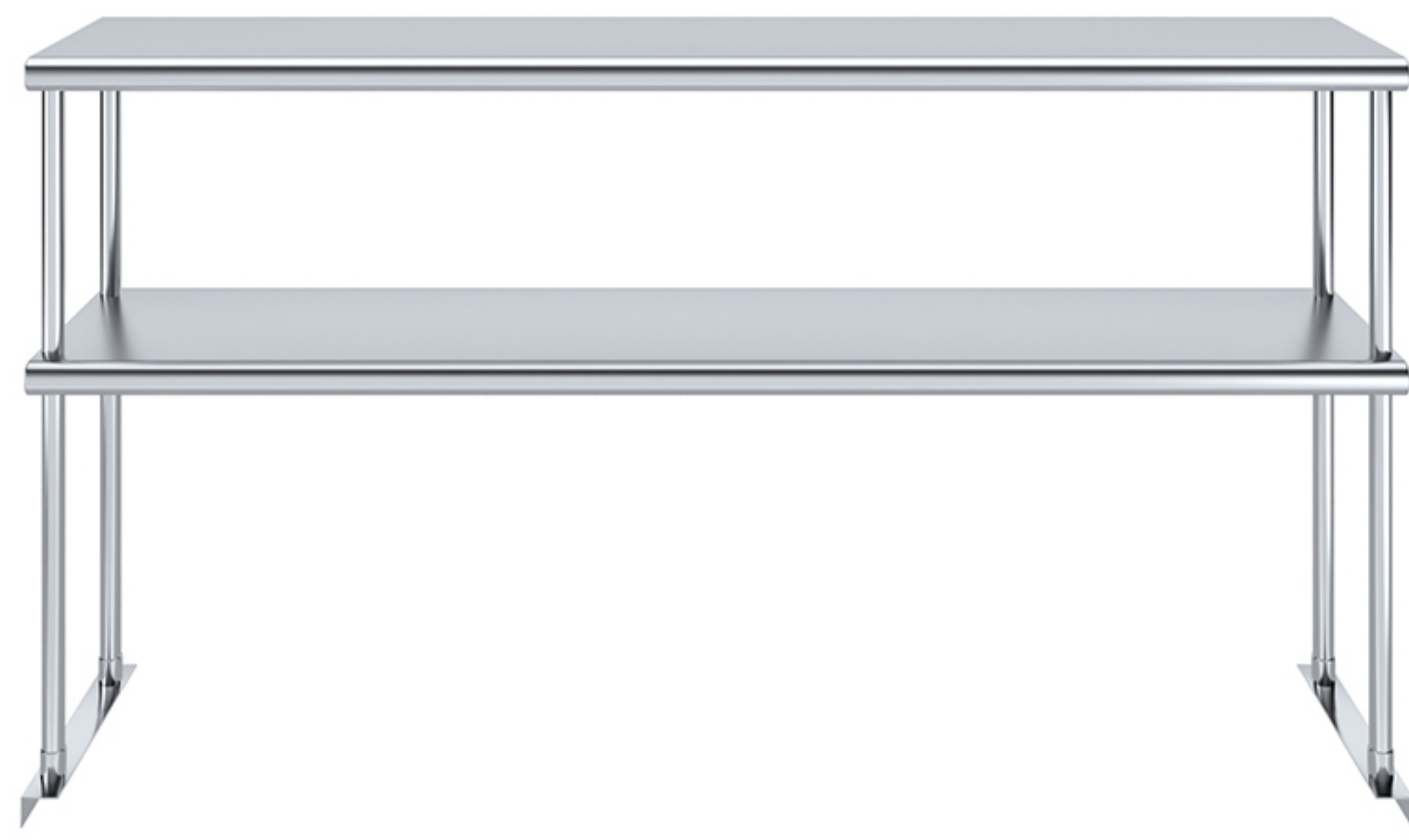
- Overall size: 14 in. x 14 in. x 31 in. H.
- Two 18-gauge type 430 stainless steel shelves.
- Stainless steel legs with stainless steel sockets.
- Equipped with 4 in. plastic expanding casters.
- Two casters include side brakes for stability.

MODEL	UNIT SIZE W x L x H
AMG ES-1414	14" x 14" x 31"



Single Tier Overshelf

- 18-gauge type 430 stainless steel shelf.
- Stainless steel legs and sockets.
- Stainless Steel mounting brackets.



MODEL	UNIT SIZE W x L x H
AMG DOS-1224	12" x 24" x 32"
AMG DOS-1230	12" x 30" x 32"
AMG DOS-1236	12" x 36" x 32"
AMG DOS-1248	12" x 48" x 32"
AMG DOS-1260	12" x 60" x 32"
AMG DOS-1272	12" x 72" x 32"
AMG DOS-1296	12" x 96" x 32"
AMG DOS-1424	14" x 24" x 32"
AMG DOS-1430	14" x 30" x 32"
AMG DOS-1436	14" x 36" x 32"

MODEL	UNIT SIZE W x L x H
AMG DOS-1448	14" x 48" x 32"
AMG DOS-1460	14" x 60" x 32"
AMG DOS-1472	14" x 72" x 32"
AMG DOS-1824	18" x 24" x 32"
AMG DOS-1830	18" x 30" x 32"
AMG DOS-1836	18" x 36" x 32"
AMG DOS-1848	18" x 48" x 32"
AMG DOS-1860	18" x 60" x 32"
AMG DOS-1872	18" x 72" x 32"
AMG DOS-1896	18" x 96" x 32"

Double Tier Overshelf

- Two 18-gauge type 430 stainless steel shelves.
- Stainless steel legs and sockets.
- Stainless Steel mounting brackets.
- 96 in. overshelves are equipped with six legs.

MODEL	UNIT SIZE W x L x H
AMG SOS-1230	12" x 30" x 18"
AMG SOS-1236	12" x 36" x 18"
AMG SOS-1248	12" x 48" x 18"
AMG SOS-1248	12" x 48" x 18"
AMG SOS-1260	12" x 60" x 18"



Bullnosed Wall Shelf

- 18-gauge type 430 stainless steel shelf and brackets.
- Bullnosed (round) front edge.
- Shelf includes an integrated 1 in. rear backsplash.
- 72 in. and longer shelves include three brackets.



MODEL	UNIT SIZE W x L x H
AMG WS-0610	06" x 10" x 5"
AMG WS-0616	06" x 16" x 5"
AMG WS-0624	06" x 24" x 5"
AMG WS-0630	06" x 30" x 5"
AMG WS-0636	06" x 36" x 5"
AMG WS-0648	06" x 48" x 5"
AMG WS-0660	06" x 60" x 5"
AMG WS-0816	08" x 16" x 6"
AMG WS-0824	08" x 24" x 6"
AMG WS-0830	08" x 30" x 6"
AMG WS-0836	08" x 36" x 6"
AMG WS-0848	08" x 48" x 6"
AMG WS-0860	08" x 60" x 6"
AMG WS-1016	10" x 16" x 8"
AMG WS-1024	10" x 24" x 8"
AMG WS-1030	10" x 30" x 8"
AMG WS-1036	10" x 36" x 8"
AMG WS-1048	10" x 48" x 8"
AMG WS-1060	10" x 60" x 8"
AMG WS-1072	10" x 72" x 8"
AMG WS-1212	12" x 12" x 10"
AMG WS-1216	12" x 16" x 10"
AMG WS-1224	12" x 24" x 10"
AMG WS-1230	12" x 30" x 10"
AMG WS-1236	12" x 36" x 10"
AMG WS-1248	12" x 48" x 10"

MODEL	UNIT SIZE W x L x H
AMG WS-1260	12" x 60" x 10"
AMG WS-1272	12" x 72" x 10"
AMG WS-1296	12" x 96" x 10"
AMG WS-1424	14" x 24" x 12"
AMG WS-1430	14" x 30" x 12"
AMG WS-1436	14" x 36" x 12"
AMG WS-1448	14" x 48" x 12"
AMG WS-1460	14" x 60" x 12"
AMG WS-1472	14" x 72" x 12"
AMG WS-1624	16" x 24" x 13"
AMG WS-1630	16" x 30" x 13"
AMG WS-1636	16" x 36" x 13"
AMG WS-1648	16" x 48" x 13"
AMG WS-1660	16" x 60" x 13"
AMG WS-1672	16" x 72" x 13"
AMG WS-1824	18" x 24" x 13"
AMG WS-1830	18" x 30" x 13"
AMG WS-1836	18" x 36" x 13"
AMG WS-1848	18" x 48" x 13"
AMG WS-1860	18" x 60" x 13"
AMG WS-1872	18" x 72" x 13"
AMG WS-1896	18" x 96" x 13"
AMG WS-2424	24" x 24" x 15"
AMG WS-2436	24" x 36" x 15"
AMG WS-2448	24" x 48" x 15"
AMG WS-2460	24" x 60" x 15"

Flat Front Wall Shelf

- 18-gauge type 430 stainless steel shelf and brackets.
- Flat front edge.
- Shelf includes an integrated 1 in. rear backsplash.
- 72 in. and longer shelves include three brackets.



MODEL	UNIT SIZE W x L x H
AMG WS-SQ-0610	06" x 10" x 5"
AMG WS-SQ-0616	06" x 16" x 5"
AMG WS-SQ-0816	08" x 16" x 5"
AMG WS-SQ-1224	12" x 24" x 10"
AMG WS-SQ-1230	12" x 30" x 10"
AMG WS-SQ-1236	12" x 36" x 10"
AMG WS-SQ-1248	12" x 48" x 10"
AMG WS-SQ-1260	12" x 60" x 10"
AMG WS-SQ-1272	12" x 72" x 10"
AMG WS-SQ-1424	14" x 24" x 12"
AMG WS-SQ-1430	14" x 30" x 12"

MODEL	UNIT SIZE W x L x H
AMG WS-SQ-1436	14" x 36" x 12"
AMG WS-SQ-1448	14" x 48" x 12"
AMG WS-SQ-1460	14" x 60" x 12"
AMG WS-SQ-1472	14" x 72" x 12"
AMG WS-SQ-1824	18" x 24" x 13"
AMG WS-SQ-1830	18" x 30" x 13"
AMG WS-SQ-1836	18" x 36" x 13"
AMG WS-SQ-1848	18" x 48" x 13"
AMG WS-SQ-1860	18" x 60" x 13"
AMG WS-SQ-1872	18" x 72" x 13"

Wall Shelf With Side Guards

- 18-gauge type 430 stainless steel shelf and brackets.
- Flat front edge.
- Shelf includes an integrated 1 in. rear backsplash.
- Includes left and right side guards.
- Knock-down.



MODEL	UNIT SIZE W x L x H
AMG WS-SG-1224	12" x 24" x 12"
AMG WS-SG-1230	12" x 30" x 12"
AMG WS-SG-1236	12" x 36" x 12"
AMG WS-SG-1248	12" x 24" x 12"
AMG WS-SG-1260	12" x 60" x 12"

MODEL	UNIT SIZE W x L x H
AMG WS-SG-1824	18" x 24" x 12"
AMG WS-SG-1830	18" x 30" x 12"
AMG WS-SG-1836	18" x 36" x 12"
AMG WS-SG-2424	24" x 24" x 12"

Wall-Mounted Shelf with Pot Rack

- 18-gauge type 430 stainless steel shelf and brackets.
- 0.187 in. x 2 in. type 430 stainless steel hanging bar.
- Bullnosed (round) front edge.
- Includes six double-sided chrome-plated hooks.

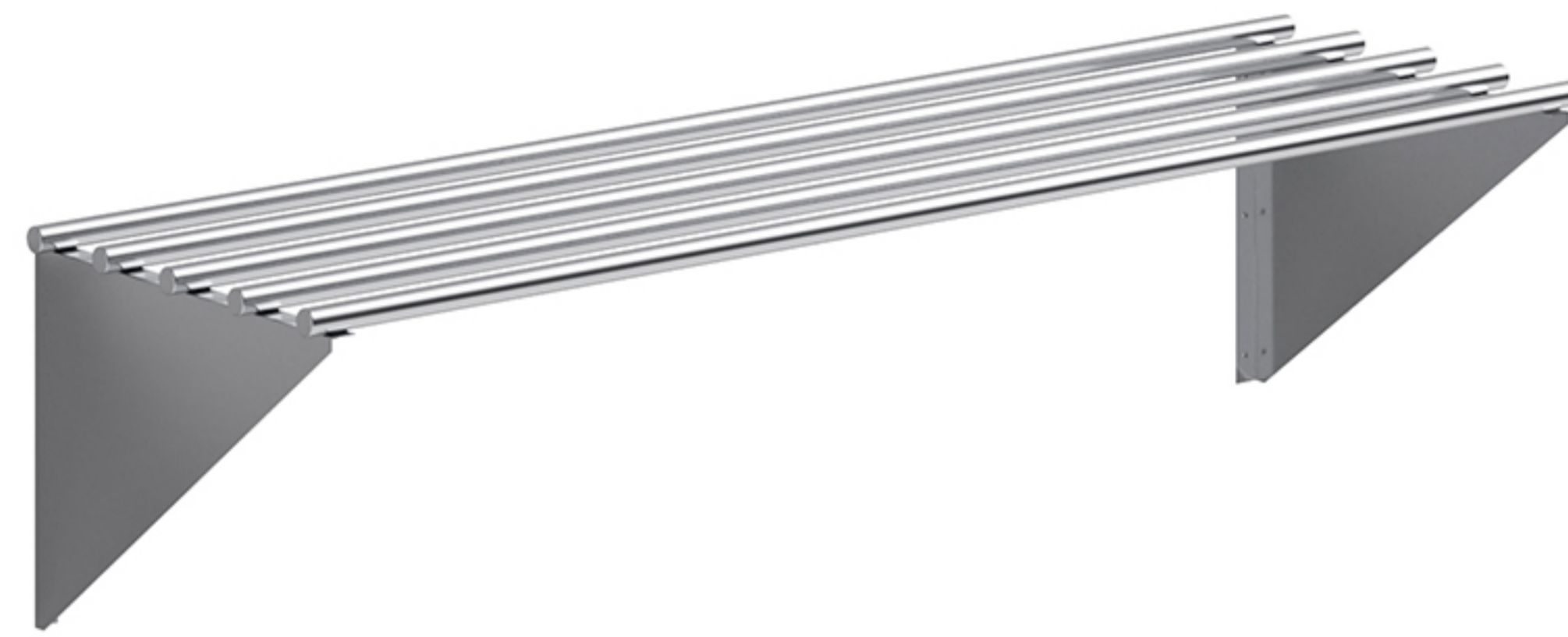


MODEL	UNIT SIZE W x L x H
AMG WS-PS-1236	12" x 36" x 10"
AMG WS-PS-1248	12" x 48" x 10"

MODEL	UNIT SIZE W x L x H
AMG WS-PS-1260	12" x 60" x 10"

Tubular Wall Shelf

- 18-gauge type 430 stainless steel brackets.
- 18-gauge stainless steel tubular construction
1-5/8 in. diameter tubing.
- Stainless steel bolts included.



MODEL	UNIT SIZE x L x H
AMG WS-TR-1436	14" x 36" x 10"
AMG WS-TR-1448	14" x 48" x 10"
AMG WS-TR-1460	14" x 60" x 10"

MODEL	UNIT SIZE W x L x H
AMG WS-TR-1848	18" x 48" x 14"
AMG WS-TR-1860	18" x 60" x 14"
AMG WS-TR-1836	18" x 36" x 14"

Folding Shelf

- 18-gauge type 304 stainless steel shelf.
- Two stainless steel folding brackets.
- Flat front edge.



MODEL	UNIT SIZE W x L x H
AMG FWS-1248	12" x 48" x 7"
AMG FWS-1260	12" x 60" x 7"
AMG FWS-1272	12" x 36" x 7"

MODEL	UNIT SIZE W x L x H
AMG FWS-1824	18" x 24" x 12"
AMG FWS-1830	18" x 30" x 12"
AMG FWS-1836	18" x 36" x 12"

Floating Double Tier Wall Mount Shelf

- Two 18-gauge type 430 stainless steel shelves.
- 18-gauge type 430 stainless steel brackets.
- Two 18-gauge type 430 stainless steel wall railings.

MODEL	UNIT SIZE W x L x H
AMG WSD-1248	16" x 36" x 36"
AMG WSD-1260	16" x 48" x 36"
AMG WSD-1272	12" x 60" x 36"



Tubular Glass Rack Shelf

- 16-gauge type 430 stainless steel support brackets.
- 18-gauge stainless steel tubular construction.
- 1-5/8 in. diameter tubing.
- Stainless steel bolts included.

MODEL	UNIT SIZE W x L x H
AMG WS-TGR-1822	18" x 22" x 11.3"
AMG WS-TGR-1842	18" x 42" x 11.3"
AMG WS-TGR-1862	18" x 62" x 11.3"



Slanted Shelf

- 18-gauge type 304 stainless steel shelf and brackets.
- 65-degree slant for easy glass rack access.
- Includes a drain outlet for efficient water drainage.

MODEL	UNIT SIZE W x L x H
AMG WS-SGR-21	22.5" x 21" x 13"
AMG WS-SGR-42	22.5" x 42" x 13"
AMG WS-SGR-63	22.5" x 63" x 13"



Printer Tray

- 18-gauge type 430 stainless steel shelf and brackets.
- 1 in. hole diameter.

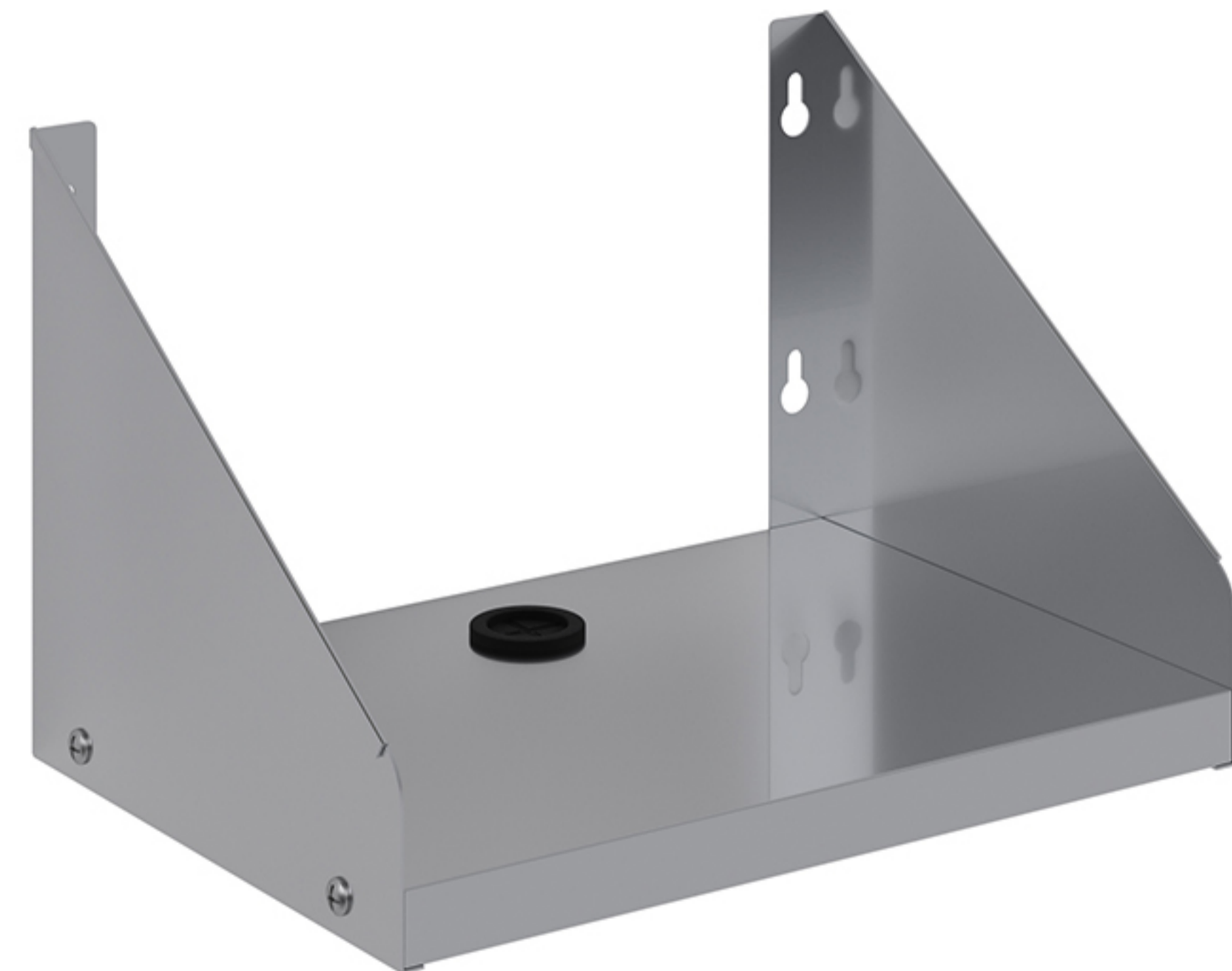
MODEL	UNIT SIZE W x L x H
AMG WS-PRINTER-TRAY	10.2" x 6.5" x 2"



Ticket Printer Shelf

- 18-gauge type 430 stainless steel shelf and brackets.
- Rubber cord grommet inside diameter 1 3/16 in.

MODEL	UNIT SIZE W x L x H
AMG WS-SG-1014-CORD	12" x 24" x 12"



Wall Mount Hand Sink

- 20-gauge type 304 stainless steel.
- Gooseneck faucet included.
- Includes 1.5 in. drain basket.
- Wall-mounted clip provided for secure installation.

MODEL	UNIT SIZE	BOWL SIZE
	W x L x H	W x L x H
AMG SINK HS-12	12" x 16"	9" x 9" x 4.5"
AMG SINK HS-15	15" x 15"	10" x 12.8" x 5.5"
AMG SINK HS-17	15" x 17"	10" x 14" x 5"



Wall Mount Hand Sink With Dual Splash Guards

- 20-gauge type 304 stainless steel.
- Gooseneck faucet included.
- Includes 1.5 in. drain basket.
- Wall-mounted clip provided for secure installation.
- Right and Left Splash Guards.

MODEL	UNIT SIZE	BOWL SIZE
	W x L x H	W x L x H
AMG SINK HS-12SS	12" x 16"	10" x 8" x 5"
AMG SINK HS-15SS	15" x 15"	10" x 12.8" x 5.5"
AMG SINK HS-17SS	17" x 15"	10" x 14" x 5"



Wall Mount Hand Sink with Single Splash Guard

- 20-gauge type 304 stainless steel.
- Gooseneck faucet included.
- Includes 1.5 in. drain basket.
- Wall-mounted clip provided for secure installation.
- Right and Left Splash Guards.

MODEL	UNIT SIZE	BOWL SIZE
	W x L x H	W x L x H
AMG SINK HS-17SS-L	17" x 15"	10" x 14" x 5"
AMG SINK HS-17SS-R	17" x 15"	10" x 14" x 5"



Wall Mount Hand Sink with Double Knee Valve

- 20-gauge type 304 stainless steel.
- Gooseneck spout included.
- Includes 1.5 in. drain basket.
- Wall-mounted clip provided for secure installation.
- Double Knee Valve.

MODEL	UNIT SIZE	BOWL SIZE
	W x L x H	W x L x H
AMG SINK HS-17KV	15" x 17"	10" x 14" x 5.5"



Wall Mount Hand Sink with Double Knee Valve & Dual Splash Guards

- 20-gauge type 304 stainless steel.
- Gooseneck spout included.
- Includes 1.5 in. drain basket.
- Wall-mounted clip provided for secure installation.
- Right and Left Splash Guards.
- Double Knee Valve.



MODEL	UNIT SIZE	BOWL SIZE
	W x L x H	W x L x H
AMG SINK HS-17KVSS	15" x 17"	10" x 14" x 5.5"

Pedestal Hand Sink with Foot Valve

- 18-gauge type 304 stainless steel.
- Gooseneck spout included.
- Includes 3.5 in. drain basket.
- Foot Valve.
- Hinged door with Stainless Steel Handle.
- 8 in. Backsplash.



MODEL	UNIT SIZE	BOWL SIZE
	W x L x H	W x L x H
AMG SINK HS-42PB	13.5" x 17" x 42"	10" x 14" x 5"

Floor Mop Sink

- 18-gauge type 304 stainless steel.
- 3-½ in. flat drain 3-1/2" with 2" IPS included.



MODEL	UNIT SIZE	BOWL SIZE
	W x L x H	W x L x H
AMG SINK MS-192212	19" x 22" x 12"	16" x 19" x 8"
AMG SINK MS-242413	24" x 24" x 13"	21" x 21" x 9"
AMG SINK MS-253316	25" x 33" x 16"	20" x 28" x 11"

Commercial Compartment Sink

- 18-gauge type 304 stainless steel.
- 8 in. Backsplash top with dead end.
- 3.5 in drain basket included.
- 18-gauge galvanized leg.
- Stainless steel socket.
- Plastic bullet feet.



One Compartment Sinks

MODEL	UNIT SIZE			BOWL SIZE			DRAINBOARD	
	W	L	H	W	L	H	LEFT	RIGHT
AMG SINK S1C-121610-NF	22"	18"	44"	16"	12"	10"	-	-
AMG SINK S1C-141611-NF	22"	20"	44"	16"	14"	11"	-	-
AMG SINK S1C-162012-NF	26"	22"	44"	20"	16"	12"	-	-
AMG SINK S1C-181812-NF	24"	23.5"	44"	18"	18"	12"	-	-
AMG SINK S1C-182414-NF	30"	30"	43"	24"	18"	14"	-	-
AMG SINK S1C-242414-NF	30"	30"	43"	24"	24"	14"	-	-
AMG SINK S1C-101410-10L-NF	20"	23"	44"	14"	10"	10"	10"	-
AMG SINK S1C-101410-10LR-NF	20"	30"	44"	14"	10"	10"	10"	10"
AMG SINK S1C-101410-10R-NF	20"	23"	44"	14"	10"	10"	-	10"
AMG SINK S1C-141611-12L-NF	22"	29"	44"	16"	14"	11"	12"	-
AMG SINK S1C-141611-12LR-N	22"	38"	44"	16"	14"	11"	12"	12"
AMG SINK S1C-141611-12R-NF	22"	29"	44"	16"	14"	11"	12"	-
AMG SINK S1C-181812-18L-NF	23.5"	39"	44"	18"	18"	12"	18"	-
AMG SINK S1C-181812-18LR-NF	23.5"	54"	44"	18"	18"	12"	18"	18"
AMG SINK S1C-181812-18R-NF	23.5"	39"	44"	18"	18"	12"	-	18"



Commercial Compartment Sink

Two Compartment Sinks

MODEL	UNIT SIZE			BOWL SIZE			DRAINBOARD	
	W	L	H	W	L	H	LEFT	RIGHT
AMG SINK S2C-101410-NF	20"	26"	44"	14"	10"	10"	-	-
AMG SINK S2C-141611-NF	22"	34"	44"	16"	14"	11"	-	-
AMG SINK S2C-181812-18-NF	23.5"	41"	44"	18"	18"	12"	-	-
AMG SINK S2C-181812-18L-NF	23.5"	57.3"	44"	18"	18"	12"	18"	-
AMG SINK S2C-181812-18LR-NF	23.5"	72"	44"	18"	18"	12"	18"	18"
AMG SINK S2C-181812-18R-NF	23.5"	57.3"	44"	18"	18"	12"	-	18"



Three Compartment Sinks

MODEL	UNIT SIZE			BOWL SIZE			DRAINBOARD	
	W	L	H	W	L	H	LEFT	RIGHT
AMG SINK S3C-101410-NF	20"	30"	44"	14"	10"	10"	10"	10"
AMG SINK S3C-181812-NF	23.5"	59"	44"	18"	18"	12"	12"	12"
AMG SINK S3C-181812-18LR-NF	23.5"	90"	44"	18"	18"	12"	18"	18"
AMG SINK S3C-242414-NF	30"	78"	44"	24"	24"	14"	18"	18"
AMG SINK S3C-242414-24LR-NF	30"	120"	44"	24"	24"	14"	18"	18"



Drop In Sink

- 18-gauge type 304 stainless steel flat top.
- 18-gauge type 304 stainless steel bowls.
- Studs with fasteners included.
- Stainless steel L-brackets with galvanized wing nuts included.
- 3.5" drain baskets included.
- Carton box packing.

One Compartment Drop In Sink

MODEL	UNIT SIZE		BOWL SIZE		
	W	L	W	L	H
AMG SINK DIS S1C-101410-NF	18.5"	13"	14"	10"	10"
AMG SINK DIS S1C-141610-NF	16"	20"	16"	14"	10"
AMG SINK DIS S1C-162010-NF	24"	10"	20"	16"	10"



Two Compartment Drop In Sink

MODEL	UNIT SIZE		BOWL SIZE		
	W	L	W	L	H
AMG SINK DIS S2C-101410-NF	18.5"	25"	14"	10"	10"
AMG SINK DIS S2C-141610-NF	16"	33.5"	16"	14"	10"
AMG SINK DIS S2C-162010-NF	24"	36"	20"	16"	10"



Two Compartment Drop In Sink

MODEL	UNIT SIZE		BOWL SIZE		
	W	L	W	L	H
AMG SINK DIS S3C-101410-NF	18"	36"	14"	10"	10"
AMG SINK DIS S3C-141610-NF	20"	48"	16"	14"	10"
AMG SINK DIS S3C-162010-NF	24"	60"	20"	16"	10"



One Compartment Drop In Sink with side Splash

MODEL	UNIT SIZE		BOWL SIZE		
	W	L	W	L	H
AMG SINK DIS S1C-10145S-NF	18"	12"	14"	10"	5"



Utility Cart

- 18-gauge type 430 stainless steel shelves.
- 16-gauge type 430 stainless steel angle supports.
- Stainless steel handle.

MODEL	UNIT SIZE W x L x H
AMG CART-1524-KD-418	15" x 24" x 33"
AMG CART-1828-KD-418	18" x 28" x 33"
AMG CART-2133-KD-418	21" x 33" x 33"



Tubular Utility Cart

- 18-gauge type 430 stainless steel shelves.
- Stainless steel tubular legs with stainless steel sockets.
- Stainless steel handle.

MODEL	UNIT SIZE W x L x H
AMG CART-TUC-1524	15" x 24" x 33"
AMG CART-TUC-1828	18" x 28" x 33"
AMG CART-TUC-2133	21" x 33" x 33"



Platform Truck

- 18-gauge type 430 stainless steel shelves.
- Stainless steel sockets.
- Stainless steel handle.

MODEL	UNIT SIZE W x L x H
AMG CART-TC-2135K	21" x 35" x 34"
AMG CART-TC-2448K	24" x 48" x 34"



Plastic Utility Cart

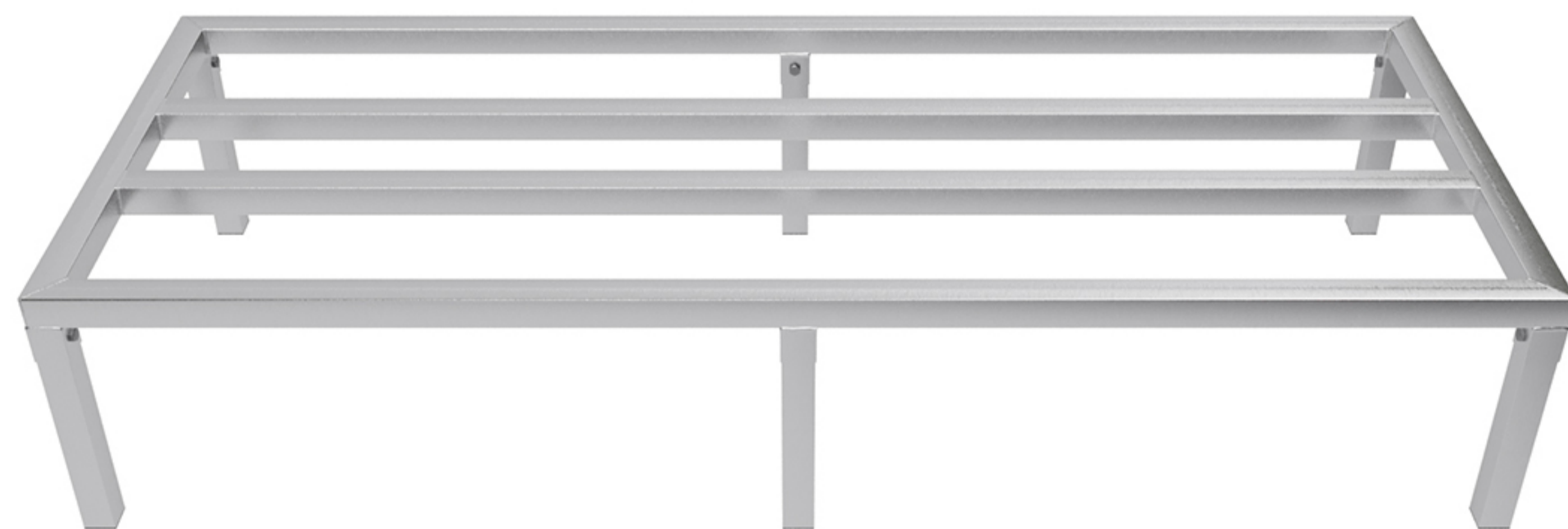
- Constructed from durable polypropylene (PP).
- Includes swivel casters, two with brakes.
- Dual-molded handles.

MODEL	UNIT SIZE W x L x H
AMG CART-PUC-3216	16" x 31" x 37.5"
AMG CART-PUC-4220	20" x 41.5" x 41"



Aluminum Dunnage Rack

- Constructed from 1.5 mm aluminum tubing, 38 mm x 38 mm.
- 14 in. wide racks include three top tubes.
- 18 in. and 20 in. wide racks include four top tubes.
- 24 in. and 30 in. wide racks include five top tubes.
- 60 in. and longer racks are equipped with six legs.
- Knock-down design.



MODEL	UNIT SIZE
	W x L x H
AMG DUNN-1424-8	14" x 24" x 8"
AMG DUNN-1436-8	14" x 36" x 8"
AMG DUNN-1448-8	14" x 48" x 8"
AMG DUNN-2036-8	20" x 36" x 8"
AMG DUNN-2048-8	20" x 48" x 8"
AMG DUNN-2060-8	20" x 60" x 8"
AMG DUNN-2436-8	24" x 36" x 8"
AMG DUNN-2448-8	24" x 48" x 8"
AMG DUNN-2460-8	24" x 60" x 8"
AMG DUNN-1824-12	18" x 24" x 12"

MODEL	UNIT SIZE
	W x L x H
DUNN-1830-12	18" x 30" x 12"
DUNN-2036-12	20" x 36" x 12"
DUNN-2048-12	20" x 48" x 12"
DUNN-2060-12	20" x 60" x 12"
DUNN-2436-12	24" x 36" x 12"
DUNN-2448-12	24" x 48" x 12"
DUNN-2460-12	24" x 60" x 12"
DUNN-3048-12	30" x 48" x 12"
DUNN-3060-12	30" x 60" x 12"

Carbon Steel Grease Trap Interceptor

- Constructed from 11-gauge carbon steel with baked gray epoxy powder coating.
- Non-skid deck plate secured with a single screw.
- One-piece cast flow control.

MODEL	UNIT SIZE
	W x L x H
AMG GT-8-4G	16" x 10.3" x 11.2"
AMG GT-14-7G	18" x 13.3" x 12.1"
AMG GT-20-10G	22" x 14.3" x 12.1"
AMG GT-30-15G	22.3" x 15.8" x 13.8"
AMG GT-40-20G	24.3" x 15.8" x 15"



Aluminum Sheet Pan Rack

- 16-gauge aluminum tubing, 1 in. x 1 in.
- 16-gauge aluminum angle slides, 1 in. x 1-1/2 in.
- Curved top with cylindrical connection bars.
- 5 in. polyurethane swivel casters.
- Knock-down.



MODEL	UNIT SIZE
10 Pans	W x L x H
AMG BPR WHEELS-FULL-10	26" x 20.3" x 38.4"
20 Pans	
AMG BPR WHEELS-FULL-20	26" x 20.3" x 69.1"

Aluminum Countertop Sheet Pan Rack

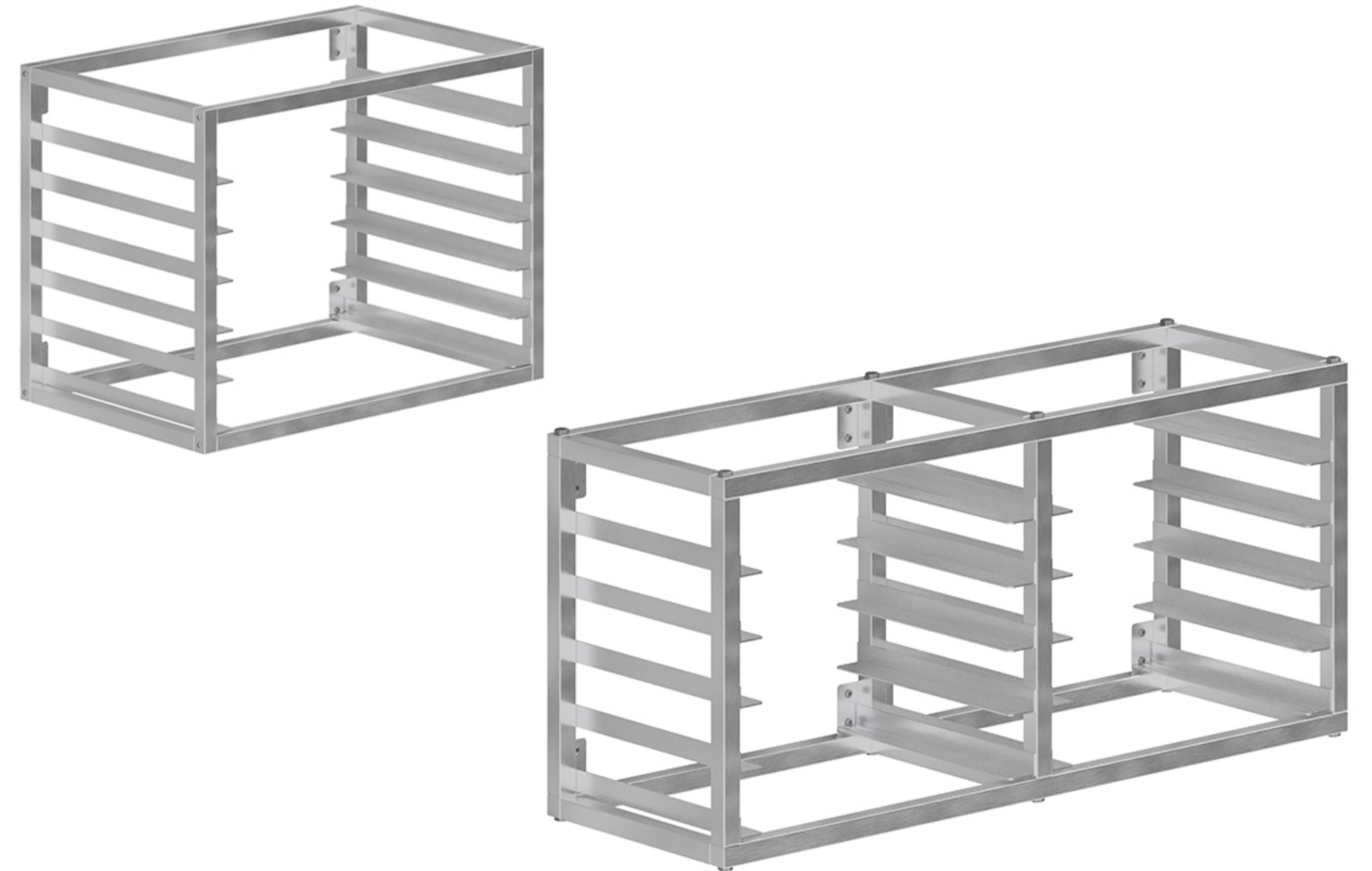
- 18-gauge aluminum tubing, 1 in. x 1 in.
- 18-gauge aluminum angle slides, 1 in. x 1-1/2 in.
- Knock-down.



MODEL	UNIT SIZE
7 Pans	W x L x H
AMG BPR CT-HALF-7	18" x 15.3" x 24"
AMG BPR CT-FULL-7	24" x 20.3" x 23"

Aluminum Wall Mounted Sheet Pan Rack

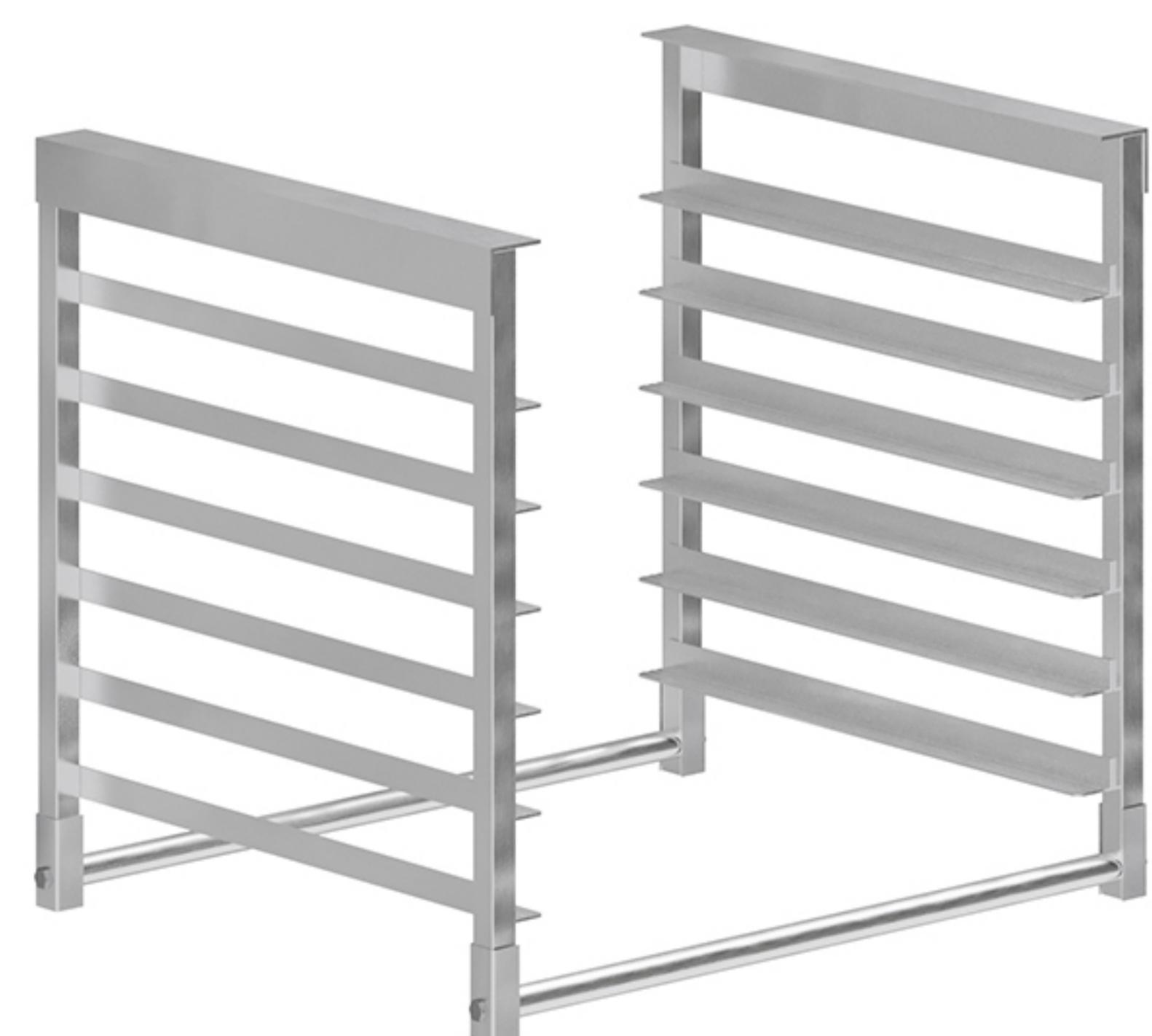
- 18-gauge aluminum tubing, 1 in. x 1 in.
- 18-gauge aluminum angle slides, 1 in. x 1-1/2 in.
- Knock-down.



MODEL	UNIT SIZE
5 Pans	W x L x H
AMG BPR WM-HALF-5	18" x 15.3" x 24"
10 Pans	
AMG BPR WM-HALF-10	24" x 20.3" x 23"
5 Pans	
AMG BPR WM-FULL-6	13" x 40" x 18"

Aluminum Under-Table Mounted Sheet Pan Rack

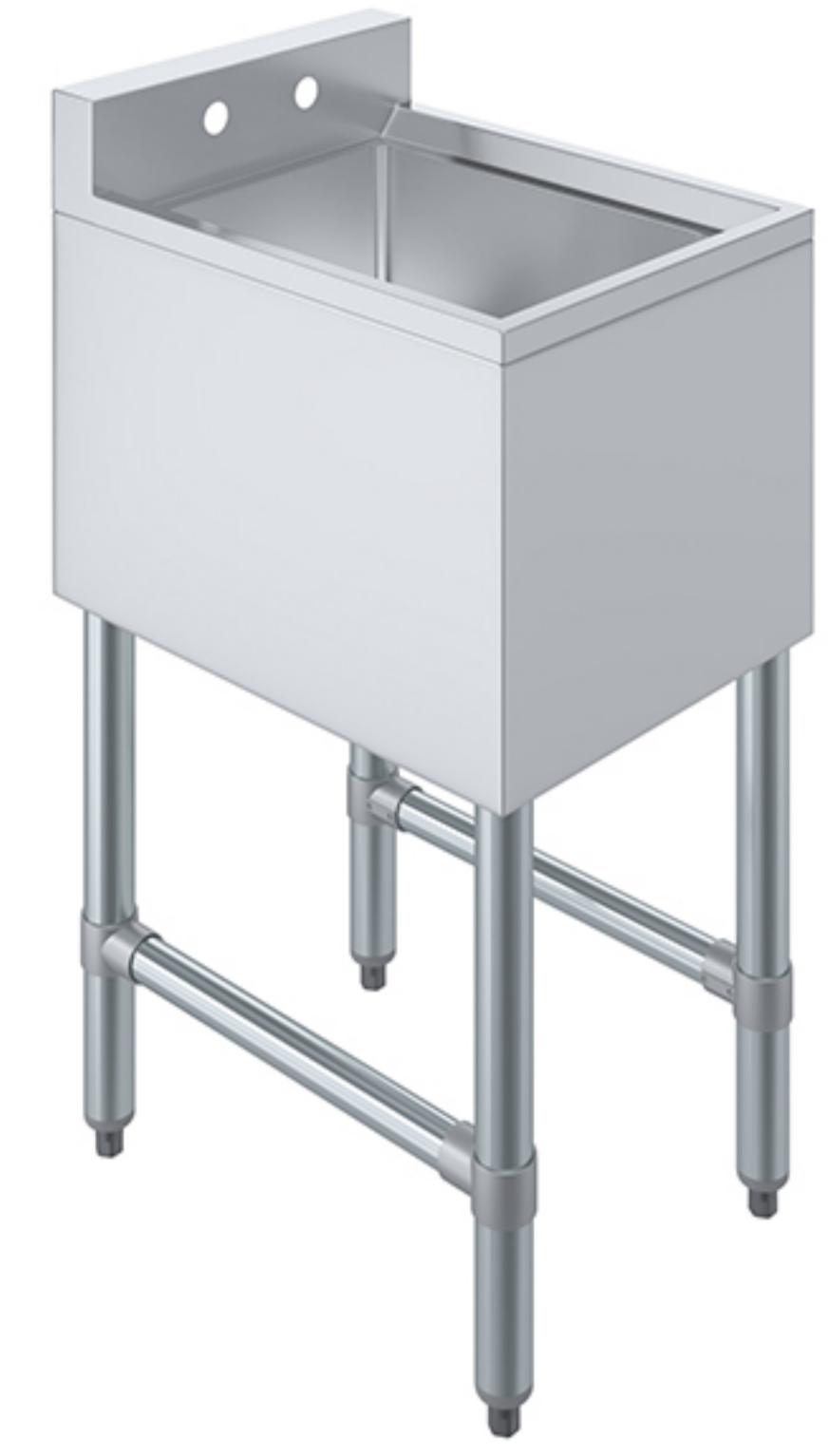
- Mounts directly to the underside of worktables.
- 18-gauge aluminum tubing, 1 in. x 1 in.
- 18-gauge aluminum angle slides, 1 in. x 1-1/2 in.
- 3 in. of space between extruded aluminum pan slides.
- Mounts to work tables 30" or 36" wide, and at least 30" long.
- Knock-down.



MODEL	UNIT SIZE
	W x L x H
AMG BPR TM-FULL-6	22.9" x 28.1" x 25.1"

Underbar Sink

- 18-gauge type 304 stainless steel top, bowl, back, and apron.
- 18-gauge type 304 stainless steel hat channel reinforcement.
- 3 in. backsplash.
- Galvanized legs and sockets.
- Adjustable plastic bullet feet.
- Galvanized "H"-shape leg bracing for added stability.
- 1.5 in. drain basket included.



One Compartment Underbar Sinks

MODEL	UNIT SIZE			BOWL SIZE			DRAINBOARD	
	W	L	H	W	L	H	LEFT	RIGHT
AMG SINK BAR S1C-101410-NF	18.7"	14.5"	33"	14"	10"	10"	-	-
AMG SINK BAR S1C-101410-L-NF	18.7"	24"	33"	14"	10"	10"	10"	-
AMG SINK BAR S1C-101410-LR-NF	18.7"	36"	33"	14"	10"	10"	10"	10"
AMG SINK BAR S1C-101410-R-NF	18.7"	24"	33"	14"	10"	10"	-	10"

Two Compartment Underbar Sinks

MODEL	UNIT SIZE			BOWL SIZE			DRAINBOARD	
	W	L	H	W	L	H	LEFT	RIGHT
AMG SINK BAR S2C-101410-NF	18.7"	26"	33"	14"	10"	10"	-	-
AMG SINK BAR S2C-101410-L-NF	18.7"	38"	33"	14"	10"	10"	10"	-
AMG SINK BAR S2C-101410-LR-NF	18.7"	48"	33"	14"	10"	10"	10"	10"
AMG SINK BAR S2C-101410-R-NF	18.7"	38"	33"	14"	10"	10"	-	10"

Two Compartment Underbar Sinks

MODEL	UNIT SIZE			BOWL SIZE			DRAINBOARD	
	W	L	H	W	L	H	LEFT	RIGHT
AMG SINK BAR S3C-101410-NF	18.7"	38"	33"	14"	10"	10"	-	-
AMG SINK BAR S3C-101410-L-NF	18.7"	?"	33"	14"	10"	10"	10"	-
AMG SINK BAR S3C-101410-LR-NF	18.7"	60"	33"	14"	10"	10"	-	10"
AMG SINK BAR S3C-101410-R-NF	18.7"	?"	33"	14"	10"	10"	10"	10"



Underbar Liquor Display Rack

- 20-gauge type 304 stainless steel bottom, steps, and back.
- 20-gauge type 304 stainless steel hat channel.
- 18-gauge type 304 stainless steel side splashes.
- Galvanized steel legs with adjustable plastic bullet feet.
- Integrated 3 in. backsplash and 14.5 in. side splashes.
- Fully welded construction.
- Galvanized H-shape leg bracing.



MODEL	UNIT SIZE W x L x H
AMG LDR-2212	22.5" x 12" x 33"
AMG LDR-2224	22.5" x 24" x 33"
AMG LDR-2236	22.5" x 36" x 33"

Underbar Drainboard

- Corrugated top drainboard.
- 20-gauge type 304 stainless steel.
- Galvanized steel legs with adjustable plastic bullet feet.
- Galvanized H-shape leg bracing.
- 3 in. backsplash.
- 9 1/2 in. high apron.
- 1 1/2 in. IPS drain.



MODEL	UNIT SIZE W x L x H
AMG UD-1812	18.5" x 12" x 33"
AMG UD-1836	18.5" x 36" x 33"
AMG UD-1848	18.5" x 48" x 33"
AMG UD-2212	22.5" x 12" x 33"
AMG UD-2218	22.5" x 18" x 33"

MODEL	UNIT SIZE W x L x H
AMG UD-2224	22.5" x 24" x 33"
AMG UD-2230	22.5" x 30" x 33"
AMG UD-2236	22.5" x 36" x 33"
AMG UD-2248	22.5" x 48" x 33"

Recessed Underbar Drainboard

- 20-gauge type 304 stainless steel drainboard.
- 20-gauge type 304 stainless steel front, back, and bottom.
- 18-gauge type 304 stainless steel side splashes.
- Galvanized H-shape leg bracing.
- Galvanized steel legs with adjustable plastic bullet feet.
- 1 1/2 in. IPS drain.
- 3 in. backsplash.



MODEL	UNIT SIZE W x L x H
AMG RUD-1812	18.5" x 12" x 33"
AMG RUD-2212	22.5" x 12" x 33"

Underbar Blender Station with Dump Sink

- 20-gauge type 304 stainless steel top, sink bowl, back, and side splashes.
- Integrated dump sink.
- 3" backsplash with pre-punched faucet mounting holes.
- 9 1/2 in. high stainless steel side splashes to help contain spills during high-volume use.
- 1-1/2 in. grommet hole.
- Galvanized "H" shape leg bracing for added stability.
- Galvanized legs with sockets and adjustable plastic bullet feet.
- Includes a faucet and a 1 1/2 in. drain basket.

MODEL	UNIT SIZE	BOWL SIZE
	W x L x H	W x L x H
AMG SINK UBS-2212	22.5" x 12" x 33"	12" x 10" x 7"
AMG SINK UBS-2214	22.5" x 14" x 33"	12" x 12" x 7"
AMG SINK UBS-2218	22.5" x 18" x 33"	12" x 14" x 7"



Underbar Hand Sink with Glass Rinser and Dipper Well

- 18-gauge type 304 stainless steel top shelf with integrated tub measuring.
- 18-gauge type 304 stainless steel removable drainboard with built-in glass rinser.
- 20-gauge type 304 stainless steel apron.
- 4 in. center deck-mount faucet with 6 in. swing nozzle included.
- Copper drain tube with threaded connection.
- 1.5 in. copper drain included.
- U-shaped galvanized leg bracing for enhanced stability.
- Galvanized legs and sockets with adjustable plastic bullet feet.

MODEL	UNIT SIZE	BOWL SIZE
	W x L x H	W x L x H
AMG UMS-1812	18.5" x 12" x 33"	9" x 9" x 7"
AMG UMS-2212	22.5" x 12" x 33"	10" x 12" x 7"
AMG UMS-2218	22.5" x 18" x 33"	10" x 14" x 7"



Underbar Hand Sink with Cabinet Base

- 20-gauge type 304 stainless steel top, bowl, back, and cabinet body.
- 20-gauge type 304 stainless steel hinged door with plastic handle.
- Galvanized legs and plates with adjustable plastic bullet feet.
- 1.5 in. drain basket included.
- Goose neck faucet included.

MODEL	UNIT SIZE	BOWL SIZE
	W x L x H	W x L x H
AMG SINK UHSC-1812	18.5" x 12" x 33"	14" x 10" x 7"
AMG SINK UHSC-1818	18.5" x 18" x 33 "	14" x 16" x 7"
AMG SINK UHSC-2212	22.5" x 12" x 33 "	14" x 10" x 7"
AMG SINK UHSC-2218	22.5" x 18" x 33 "	14" x 16" x 7"



Underbar Hand Sink with Soap and Towel Dispenser

- 20-gauge type 304 stainless steel top, bowl, and back.
- 20-gauge type 304 stainless steel apron.
- Hinged front door with durable plastic handle.
- H-shaped galvanized leg bracing for added stability.
- Galvanized legs and sockets with adjustable plastic bullet feet.
- 1.5 in. drain basket included.
- Goose neck faucet included.
- Soap and towel dispenser included.



MODEL	UNIT SIZE	BOWL SIZE
	W x L x H	W x L x H
AMG SINK UHS-2212-STD	22.5" x 12" x 33"	14" x 10" x 7"
AMG SINK UHS-2215-STD	22.5" x 15" x 33"	14" x 10" x 7"
AMG SINK UHS-2218-STD	22.5" x 18" x 33"	14" x 16" x 7"

Glass Rack Storage Cabinet

- 20-gauge type 304 stainless steel.
- Two sets of 18-gauge type 304 stainless steel L-shaped adjustable rack slides.
- 3 in. plumbing access hole at the rear panel.
- Galvanized legs and plates with adjustable plastic bullet feet.
- 2 x 1/2 in. IPS drains.



MODEL	OVERALL
	W x L x H
AMG GRSC-2224	22.5" x 24" x 33"

Free Standing Ice Bin with 7-circuit Cast Aluminum Cold Plate

- 20-gauge type 304 stainless steel.
- Sliding lids.
- High-pressure foamed insulation.
- Cast aluminum post-mix plate with 7 circuits.
- Galvanized legs and sockets with adjustable plastic bullet feet.
- Galvanized U-shape leg bracing.



MODEL	UNIT SIZE	BOWL SIZE
	W x L x H	W x L x H
AMG FSIB-CP-182412	18.5" x 24" x 30"	15" x 22" x 12"

Drop In Ice Bin

- 20-gauge type 304 stainless steel.
- Sliding lids.
- High-pressure foaming insulation.
- 1 in. x 3 in. NPT copper drain tubing included.
- Four welded mounting studs for secure installation.

MODEL	UNIT SIZE	BOWL SIZE
	W x L x H	W x L x H
AMG ICE BIN DIIB-181210	18" x 12" x 13"	8.5" x 13.5" x 10"
AMG ICE BIN DIIB-182410	18" x 24" x 13"	13.5" x 20.5" x 10"
AMG ICE BIN DIIB-183010	18" x 30" x 13"	13.5" x 26.5" x 10"
AMG ICE BIN DIIB-183610	18" x 36" x 13"	13.5" x 32.5" x 10"
AMG ICE BIN DIIB-184810	18" x 48" x 13"	13.5" x 44.5" x 10"



Free Standing Ice Bin with Cold Plate

- 20-gauge type 304 stainless steel.
- Sliding lids.
- High-pressure foaming insulation.
- 1 in. x 3 in. NPT copper drain tubing included.
- Galvanized legs with sockets and adjustable plastic bullet feet.
- "H"-shape leg bracing for added stability.
- Includes (2) plastic bottle holders.

MODEL	UNIT SIZE	BOWL SIZE
	W x L x H	W x L x H
AMG ICE BIN FSIB-182412	18.5" x 24" x 30"	15" x 22" x 12"
AMG ICE BIN FSIB-183615	18.5" x 36" x 30"	15" x 34" x 15"
AMG ICE BIN FSIB-184815	18.5" x 48" x 30"	15" x 46" x 15"



Mobile Ice Bin

- 20-gauge type 304 stainless steel for the bowl, top, apron, and sliding lid.
- High-pressure foamed insulation.
- Sliding lids.
- 1 in. x 3 in. NPT copper drain tubing with shut-off valve for controlled drainage.
- Galvanized legs and sockets with adjustable plastic bullet feet.
- Includes two plastic bottle holders.
- Two casters with side brakes and two without.

MODEL	UNIT SIZE	BOWL SIZE
	W x L x H	W x L x H
AMG ICE BIN MIB-182412	18.5" x 24" x 30"	15" x 24" x 12"
AMG ICE BIN MIB-183612	18.5" x 36" x 30"	15" x 34" x 12"



Single-Tier Speed Rail

- 18-gauge type 430 stainless steel.
- Integrated mounting holes.
- Hardware not included.



MODEL	UNIT SIZE W x L x H
AMG SR-15	4" x 5" x 6"
AMG SR-22	4" x 22" x 6"
AMG SR-32	4" x 32" x 6"
AMG SR-36	4" x 36" x 6"

MODEL	UNIT SIZE W x L x H
AMG SR-42	4" x 42" x 6"
AMG SR-48	4" x 48" x 6"
AMG SR-60	4" x 60" x 6"
AMG SR-72	4" x 72" x 6"

Single-Tier Double Speed Rail



MODEL	UNIT SIZE W x L x H
AMG SR-15D	8" x 5" x 10"
AMG SR-22D	8" x 22" x 10"
AMG SR-32D	8" x 32" x 10"
AMG SR-36D	8" x 36" x 10"

MODEL	UNIT SIZE W x L x H
AMG SR-42D	8" x 42" x 10"
AMG SR-48D	8" x 48" x 10"
AMG SR-60D	8" x 60" x 10"
AMG SR-72D	8" x 72" x 10"

Two-Tier Speed Rail



MODEL	UNIT SIZE W x L x H
AMG SR-15AD	8" x 5" x 10"
AMG SR-22AD	8" x 22" x 10"
AMG SR-32AD	8" x 32" x 10"
AMG SR-36AD	8" x 36" x 10"

MODEL	UNIT SIZE W x L x H
AMG SR-42AD	8" x 42" x 10"
AMG SR-48AD	8" x 48" x 10"
AMG SR-60AD	8" x 60" x 10"
AMG SR-72AD	8" x 72" x 10"

Wall-Mounted Single-Line Pot Rack

- Constructed from 0.187 in. x 2 in. flat bar.
- Type 430 stainless steel flat.

MODEL	UNIT SIZE
	W x L x H
AMG SPR-24	8" x 24" x 2"
AMG SPR-36	8" x 36" x 2"
AMG SPR-48	8" x 48" x 2"
AMG SPR-60	8" x 60" x 2"
AMG SPR-72	8" x 72" x 2"



Wall-Mounted Double-Line Pot Rack

- Constructed from 0.187 in. x 2 in. flat bar.
- Type 430 stainless steel flat.
- Fully welded construction.

MODEL	UNIT SIZE
	W x L x H
AMG DPR-24	12" x 24" x 12"
AMG DPR-36	12" x 36" x 12"
AMG DPR-48	12" x 48" x 12"
AMG DPR-60	12" x 60" x 12"
AMG DPR-72	12" x 72" x 12"

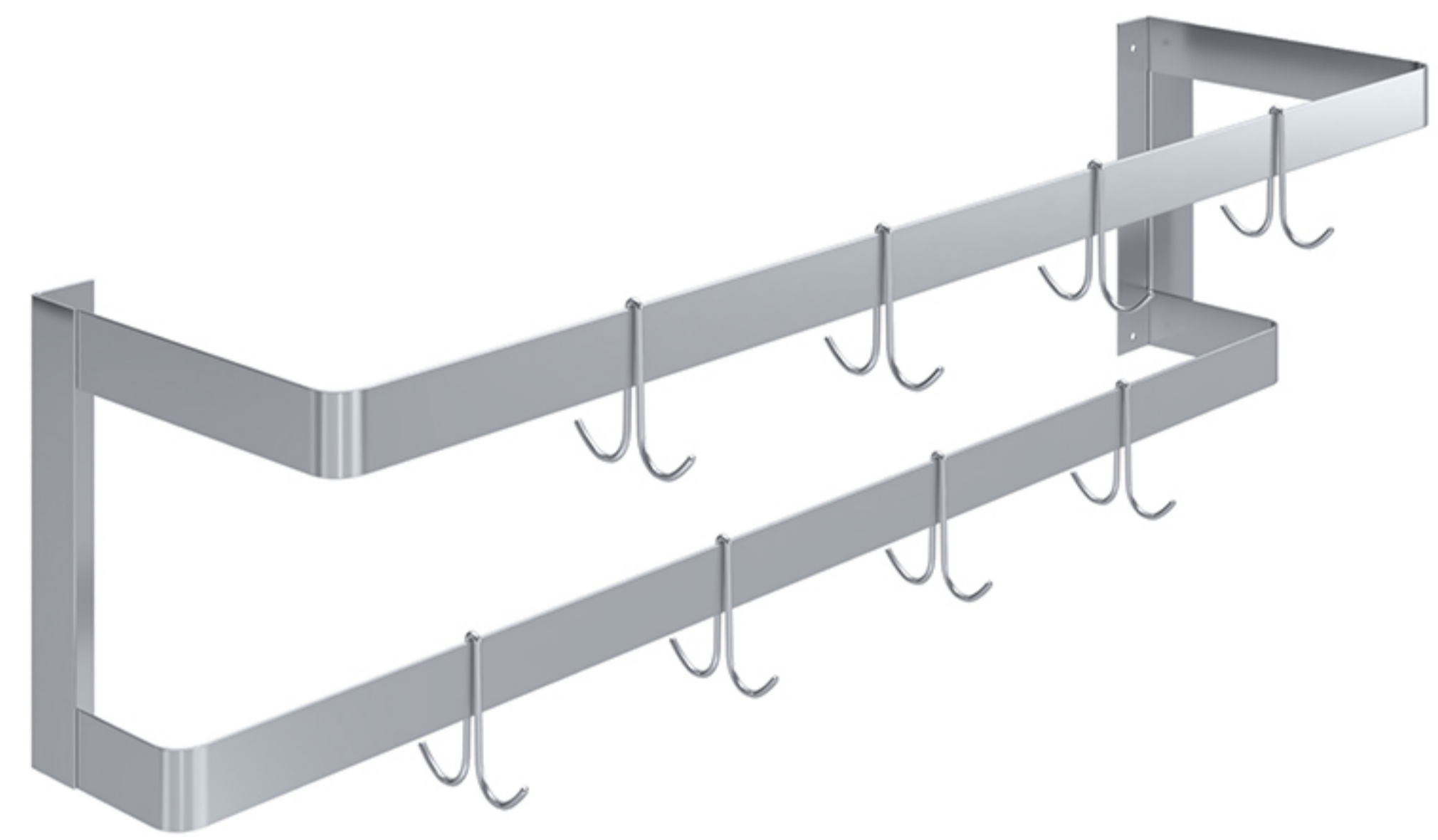


Table-Mounted Pot Rack

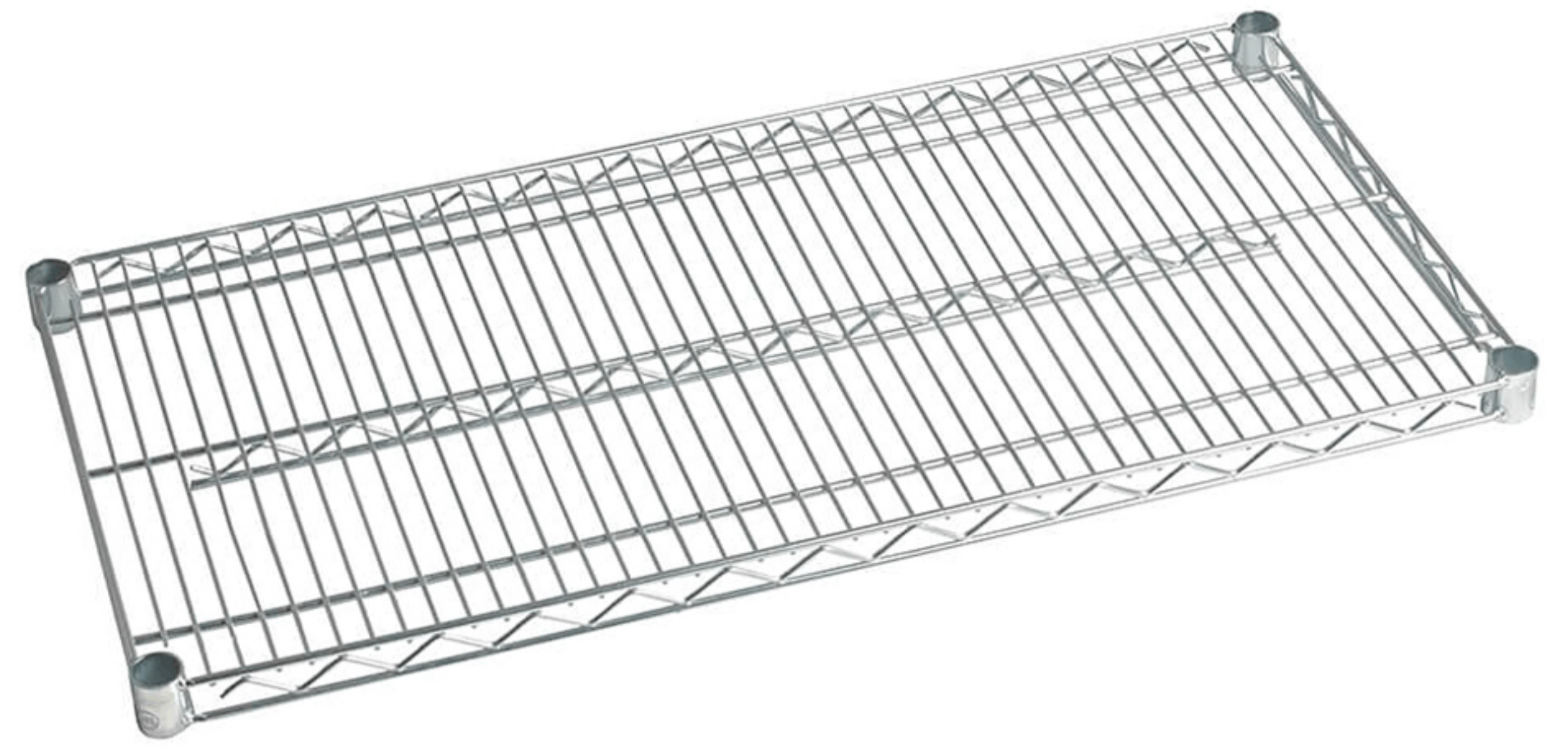
- Constructed from 0.187 in. x 2 in. flat bar.
- Type 430 stainless steel flat.
- Includes 2 stainless steel sockets and 2 stainless steel legs.
- 14-gauge type 430 stainless steel mounting brackets (2 pcs).

MODEL	UNIT SIZE
	W x L x H
AMG TMP-36	16" x 36" x 7"
AMG TMP-48	16" x 48" x 7"
AMG TMP-60	16" x 60" x 12"
AMG TMP-72	16" x 72" x 12"



Chrome Wire Shelf

- Includes 4 Pairs of Split Sleeves.



MODEL

UNIT SIZE

W x L

AMG WRS CH-1424-1PK	14" x 24"
AMG WRS CH-1430-1PK	14" x 30"
AMG WRS CH-1436-1PK	14" x 36"
AMG WRS CH-1442-1PK	14" x 42"
AMG WRS CH-1448-1PK	18" x 48"
AMG WRS CH-1454-1PK	18" x 54"
AMG WRS CH-1460-1PK	14" x 60"
AMG WRS CH-1472-1PK	14" x 72"
AMG WRS CH-1824-1PK	18" x 24"
AMG WRS CH-1830-1PK	18" x 30"
AMG WRS CH-1836-1PK	18" x 36"
AMG WRS CH-1842-1PK	18" x 42"
AMG WRS CH-1848-1PK	18" x 48"
AMG WRS CH-1854-1PK	18" x 54"
AMG WRS CH-1860-1PK	18" x 60"

MODEL

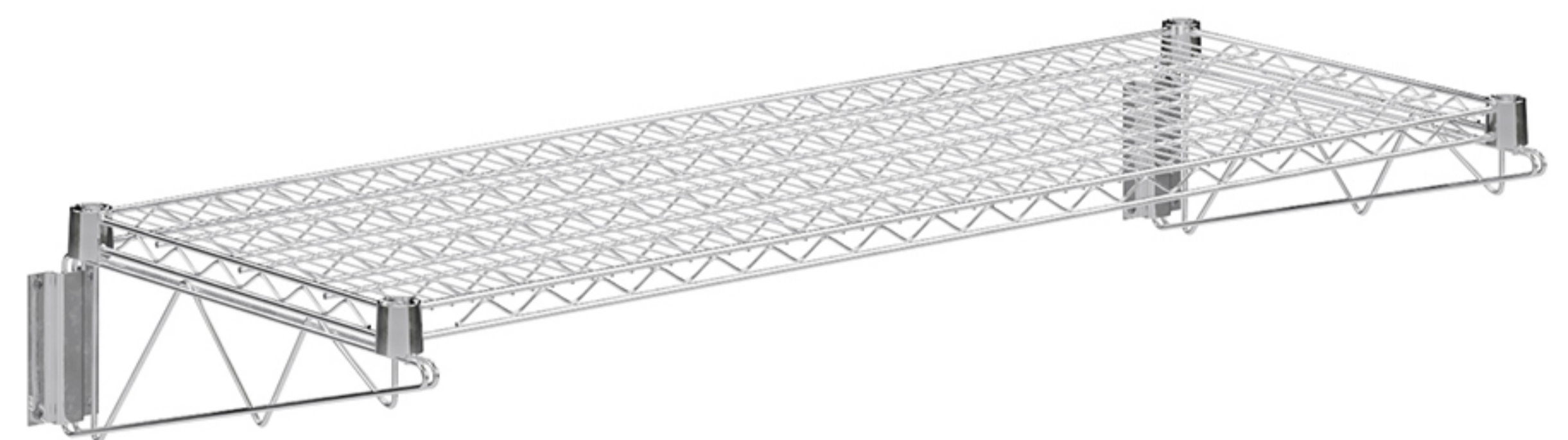
UNIT SIZE

W x L

AMG WRS CH-1872-1PK	18" x 72"
AMG WRS CH-2124-1PK	21" x 24"
AMG WRS CH-2130-1PK	21" x 30"
AMG WRS CH-2136-1PK	21" x 36"
AMG WRS CH-2142-1PK	21" x 42"
AMG WRS CH-2148-1PK	21" x 48"
AMG WRS CH-2160-1PK	21" x 60"
AMG WRS CH-2172-1PK	21" x 72"
AMG WRS CH-2424-1PK	24" x 24"
AMG WRS CH-2430-1PK	24" x 30"
AMG WRS CH-2436-1PK	24" x 36"
AMG WRS CH-2442-1PK	24" x 42"
AMG WRS CH-2448-1PK	24" x 48"
AMG WRS CH-2460-1PK	24" x 60"
AMG WRS CH-2472-1PK	24" x 72"

Wall Mount Wire Shelf with Brackets

- Includes mounting hardware.



MODEL

UNIT SIZE

W x L x H

AMG WRS-WALL CH-1424	14" x 24" x 8"
AMG WRS-WALL CH-1436	14" x 36" x 8"
AMG WRS-WALL CH-1448	14" x 48" x 8"
AMG WRS-WALL CH-1460	14" x 60" x 8"
AMG WRS-WALL CH-1824	18" x 24" x 8"
AMG WRS-WALL CH-1836	18" x 36" x 8"

MODEL

UNIT SIZE

W x L x H

AMG WRS-WALL CH-1848	14" x 24" x 8"
AMG WRS-WALL CH-1860	14" x 36" x 8"
AMG WRS-WALL CH-2424	14" x 48" x 8"
AMG WRS-WALL CH-2436	14" x 60" x 8"
AMG WRS-WALL CH-2448	18" x 24" x 8"
AMG WRS-WALL CH-2460	18" x 36" x 8"

Chrome Wire Shelving Post

- Includes an adjustable foot.
- Available in sets of 4.

MODEL	UNIT SIZE
	H
AMG WP CH 8	8"
AMG WP CH 14	14"
AMG WP CH 27	27"
AMG WP CH 34	34"
AMG WP CH 54 S	54"

MODEL	UNIT SIZE
	H
AMG WP CH 64 S	64"
AMG WP CH 74 S	74"
AMG WP CH 86 S	86"
AMG WP CH 96 S	96"



Black Epoxy Wire Shelving Post

MODEL	UNIT SIZE
	H
AMG WP BE 14	14"
AMG WP BE 27	27"
AMG WP BE 34	34"
AMG WP BE 54 S	54"

MODEL	UNIT SIZE
	H
AMG WP BE 64 S	64"
AMG WP BE 74 S	74"
AMG WP BE 86 S	86"
AMG WP BE 96 S	96"



Green Epoxy Wire Shelving Post

MODEL	UNIT SIZE
	H
AMG WP GE 14	14"
AMG WP GE 27	27"
AMG WP GE 34	34"
AMG WP GE 54 S	54"

MODEL	UNIT SIZE
	H
AMG WP GE 64 S	64"
AMG WP GE 74 S	74"
AMG WP GE 86 S	86"
AMG WP GE 96 S	96"



Galvanized Undershef for Work Table

- 18 Gauge galvanized steel.



MODEL	UNIT SIZE
	W x L x H
AMG UNDERSHELF-1424	14" x 24"
AMG UNDERSHELF-1430	14" x 30"
AMG UNDERSHELF-1436	14" x 36"
AMG UNDERSHELF-1448	14" x 48"
AMG UNDERSHELF-1460	14" x 60"
AMG UNDERSHELF-1472	14" x 72"
AMG UNDERSHELF-1484	14" x 84"
AMG UNDERSHELF-1496	14" x 96"
AMG UNDERSHELF-1636	16" x 36"
AMG UNDERSHELF-1648	16" x 48"
AMG UNDERSHELF-1818	18" x 18"
AMG UNDERSHELF-1824	18" x 24"
AMG UNDERSHELF-1830	18" x 30"
AMG UNDERSHELF-1836	18" x 36"
AMG UNDERSHELF-1848	18" x 48"
AMG UNDERSHELF-1860	18" x 60"
AMG UNDERSHELF-1872	18" x 72"
AMG UNDERSHELF-1884	18" x 84"
AMG UNDERSHELF-1896	18" x 96"
AMG UNDERSHELF-2020	20" x 20"
AMG UNDERSHELF-2412	24" x 12"

MODEL	UNIT SIZE
	W x L x H
AMG UNDERSHELF-2415	24" x 15"
AMG UNDERSHELF-2418	24" x 18"
AMG UNDERSHELF-2424	24" x 24"
AMG UNDERSHELF-2430	24" x 30"
AMG UNDERSHELF-2436	24" x 36"
AMG UNDERSHELF-2448	24" x 48"
AMG UNDERSHELF-2460	24" x 60"
AMG UNDERSHELF-2472	24" x 72"
AMG UNDERSHELF-2496	24" x 96"
AMG UNDERSHELF-3012	30" x 12"
AMG UNDERSHELF-3015	30" x 15"
AMG UNDERSHELF-3018	30" x 18"
AMG UNDERSHELF-3024	30" x 24"
AMG UNDERSHELF-3030	30" x 30"
AMG UNDERSHELF-3036	30" x 36"
AMG UNDERSHELF-3048	30" x 48"
AMG UNDERSHELF-3060	30" x 60"
AMG UNDERSHELF-3072	30" x 72"
AMG UNDERSHELF-3096	30" x 96"
AMG UNDERSHELF-3636	36" x 36"
AMG UNDERSHELF-3696	36" x 96"

Galvanized Leg for Work Table

- 18-gauge galvanized steel.
- Adjustable plastic bullet feet.
- Available in sets of 4 and 6.

MODEL	UNIT SIZE
	L
AMG GS LEG-35-4PK	24"
AMG GS LEG-24-6PK	24"
AMG GS LEG-27-4PK	27"
AMG GS LEG-27-6PK	27"
AMG GS LEG-33-4PK	33"
AMG GS LEG-33-6PK	33"

MODEL	UNIT SIZE
	L
AMG GS LEG-35-4PK	35"
AMG GS LEG-35-6PK	35"
AMG GS LEG-39-4PK	39"
AMG GS LEG-42-4PK	42"
AMG GS LEG-42-6PK	42"



Work Table Caster

- 1.42 in. plastic expanding stem.
- Wheel made of rubber.
- Available in sets of 4 and 6.
- Set of 4: 2 with brake and 2 without brake.
- Set of 6: 3 with brake and 3 without brake.

MODEL
AMG 3 in. CASTERS (SET OF 4)
AMG 3 in. CASTERS (SET OF 6)
AMG 4 in. CASTERS (SET OF 4)

MODEL
AMG 4 in. CASTERS (SET OF 6)
AMG 5 in. CASTERS (SET OF 4)
AMG 5 in. CASTERS (SET OF 6)



Floor-Mount & Leveling Feet

MODEL	
AMG SSFF-4PK	Stainless Steel Flanged Feet
AMG MBF-4PK	Zinc Alloy Bullet Feet
AMG PBF-4PK	Plastic Bullet Feet



Work Table Drawer

- 18-gauge type 430 stainless steel.
- Sliding rails included.

MODEL	UNIT SIZE
AMG DRAWER-1510	10" x 15" x 5"
AMG DRAWER-1514	14" x 15" x 5"
AMG DRAWER-1520	20" x 15" x 5"



Aluminum Joint Socket

MODEL

RCB S1

RCB S2

RCB S3



S1



S2



S3

Plate Socket

- 2.0 mm type 304 stainless steel .
- Mounting Plate with four pre-drilled screw holes.
- 1-5/8 in. socket with two screw holes.
- Includes installation hardware

MODEL

LEG-SOCKET-4PK



Pre-Rinse Basket

NSF®

- 20-gauge type 304 stainless steel.

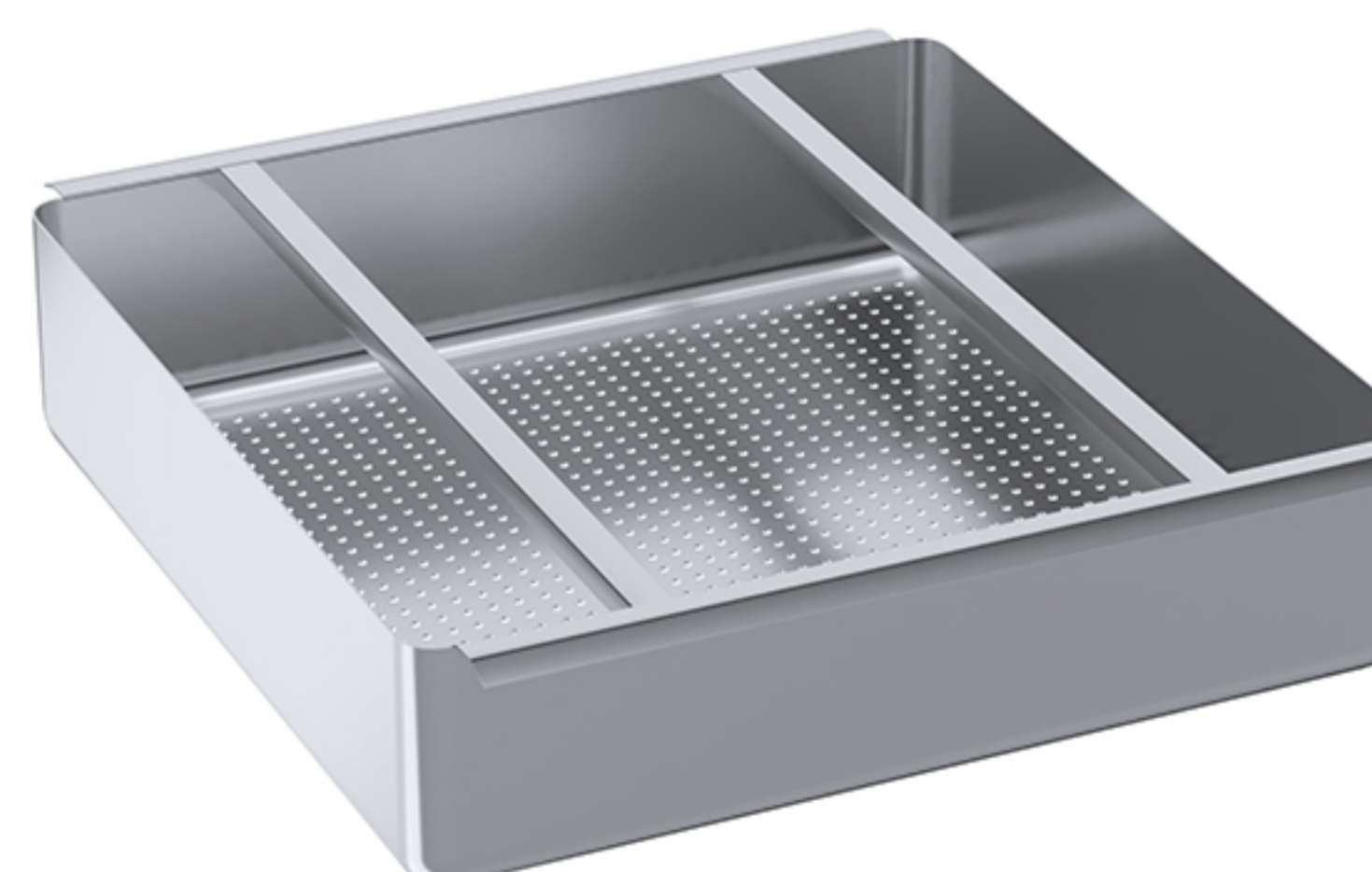
MODEL

UNIT SIZE

W x L x H

AMG PRDB-20205 19.5" x 19.5" x 3.5"

AMG PRDB-24245 23.5" x 23.5" x 4"



Cylinder Floor Drain Strainer

- 20-gauge type 304 stainless steel.
- 14-gauge type 304 stainless steel top rim.

MODEL	UNIT SIZE
	W x H
AMG CSSS-2x4	2.5" x 4"
AMG CSSS-2x6	2.5" x 6"
AMG CSSS-2x8	2.5" x 8"
AMG CSSS-3x4	3.5" x 4"
AMG CSSS-3x6	3.5" x 6"

MODEL	UNIT SIZE
	W x H
AMG CSSS-3x8	3.5" x 8"
AMG CSSS-4x4	4.5" x 4"
AMG CSSS-4x6	4.5" x 6"
AMG CSSS-4x8	4.5" x 8"



Rectangular Floor Drain Strainer

MODEL	UNIT SIZE
	W x L x H
AMG SSSS-8X8X3	8" x 8" x 3"
AMG SSSS-10X10X5	10" x 10" x 5"



Aluminum Dome Drain Strainer

- 22-gauge type 304 stainless steel.
- 20-gauge type 304 stainless steel top rim.

MODEL	UNIT SIZE
	W x H
AMG FSDS	2.5" x 4"



Floor Sink Grate

- Cast Iron.
- Enameled.

MODEL	UNIT SIZE
	W x L
AMG TG-FULL	9.3/8" x 9.3/8"
AMG TG-3/4	9.3/8" x 9.3/8"
AMG TG-1/2	9.3/8" x 9.3/8"

AMG TG-FULL



AMG TG-3/4



AMG TG-1/2



4 in. Center Deck Mount Faucet with Swing Spout

- Deck-mounted faucet.
- 4 in. center.
- Swing Spout.

MODEL	CENTER	SPOUT
AMG FCT DECK 4-6-K	4"	6"
AMG FCT DECK 4-8-K	4"	8"
AMG FCT DECK 4-10-K	4"	10"
AMG FCT DECK 4-12-K	4"	12"
AMG FCT DECK 4-14-K	4"	14"
AMG FCT DECK 4-16-K	4"	16"



4 in. Center Deck Mount Faucet with Gooseneck Spout

- Deck-mounted faucet.
- 4 in. center.
- Gooseneck Spout.

MODEL	CENTER	SPOUT
AMG FCT DECK G-4-3-H	4"	3"
AMG FCT DECK G-4-5-H	4"	5"
AMG FCT DECK G-4-8-H	4"	8"



4 in. Center Wall Mount Faucet with Swing Spout

- Wall-mounted faucet.
- 4 in. center.
- Swing Spout.

MODEL	CENTER	SPOUT
AMG FCT WALL 4-6-K	4"	6"
AMG FCT WALL 4-8-K	4"	8"
AMG FCT WALL 4-10-K	4"	10"
AMG FCT WALL 4-12-K	4"	12"
AMG FCT WALL 4-14-K	4"	14"
AMG FCT WALL 4-16-K	4"	16"



4 in. Center Wall Mount Faucet with Gooseneck Spout

- Wall-mounted faucet.
- 4 in. center.
- Gooseneck Spout.

MODEL	CENTER	SPOUT
AMG FCT WALL G-4-3-K	4"	3"
AMG FCT WALL G-4-5-K	4"	5"
AMG FCT WALL G-4-8-K	4"	8"



8 in. Center Wall Mount Faucet with Swing Spout

- Wall-mounted faucet.
- 8 in. center.
- Swing Spout.

MODEL	CENTER	SPOUT
AMG FCT WALL 8-6-H	8"	6"
AMG FCT WALL 8-8-H	8"	8"
AMG FCT WALL 8-10-H	8"	10"
AMG FCT WALL 8-12-H	8"	12"
AMG FCT WALL 8-14-H	8"	14"
AMG FCT WALL 8-16-H	8"	16"



8 in. Center Wall Mount Faucet with Swing Spout

- Wall-mounted faucet.
- 8 in. center.
- Swing Spout.

MODEL	CENTER	SPOUT
AMG FCT WALL G-8-3-H	8"	3"
AMG FCT WALL G-8-5-H	8"	5"
AMG FCT WALL G-8-8-H	8"	8"



Pre-Rinse Assembly with Add-On Faucet

- 12 in. wall bracket.
- 8 in. centers.
- Spring-action flexible gooseneck.
- Add-on faucet with 12 in. swing spout.

MODEL	CENTER	SPOUT
AMG FCT-WM-PR-ADD-A3	8"	12"

